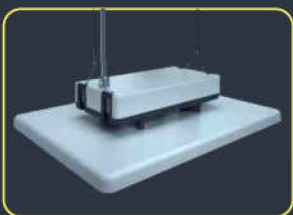
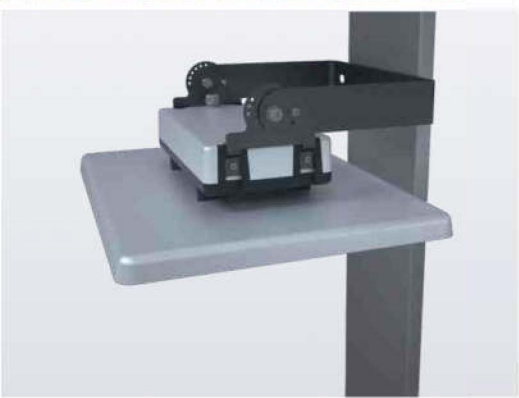
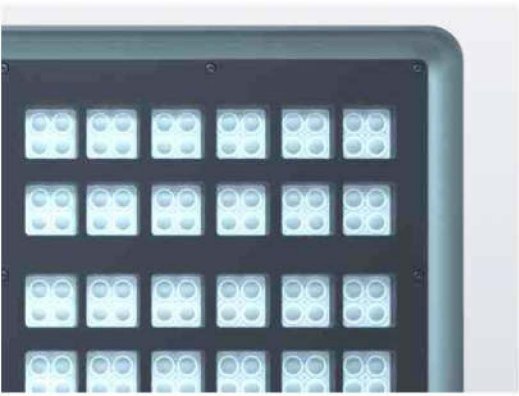


## Redefine Anti-Glaring

“ Anti-glaring light is required more and more for applications where people doesn't feel comfortable with the glaring light, especially when the light were not very high. MILDBEAM is the ideal solution for visual protection. This increases the performance of staff and the quality of their work. ”





- **Advanced UGR technology**

The Optics was specially developed to minimize glare and maximize homogeneity. With an anti-glaring film on the lens and a shield in front, we managed to achieve  $UGR < 19$

- **Simple installation**

With ceiling installation accessory equipped with mains lead, the two suspension points at the ceiling could be combined to One-Point installation. This saves time and cost for installation. And even vibrations and air movements are no longer able to twist it.

### More Than Good



Cree LED



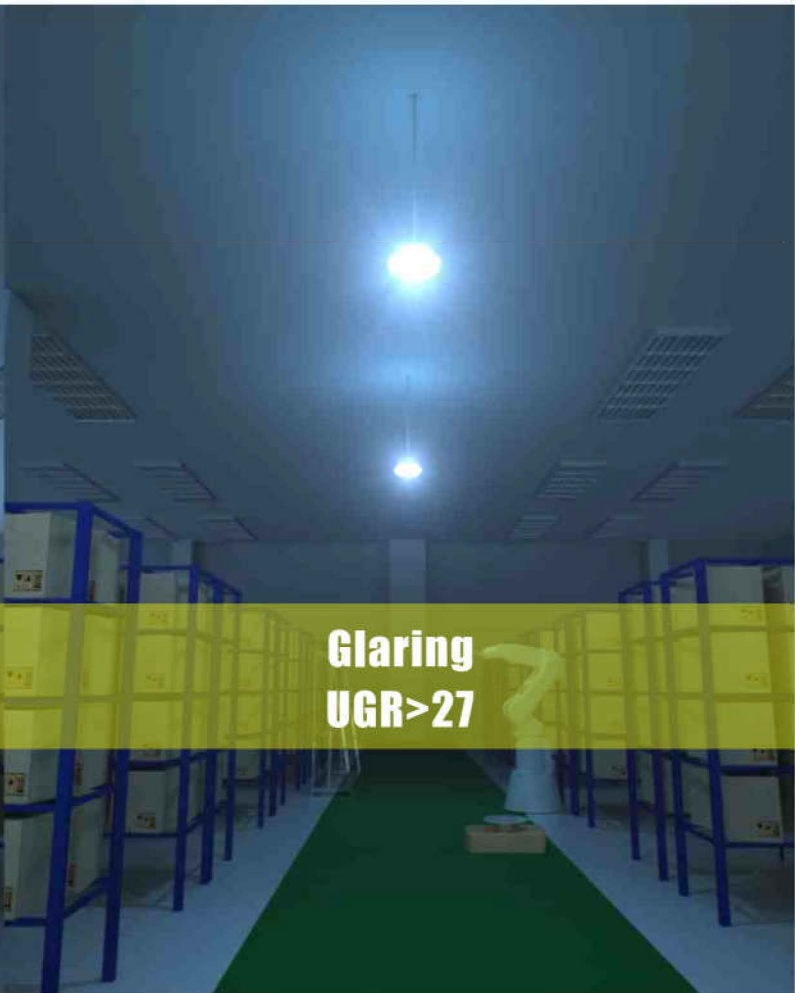
Meanwell Driver



Pure Aluminum heatsink



**Anti-glaring  
UGR<19**



**Glaring  
UGR>27**



**Europe Design Patent**

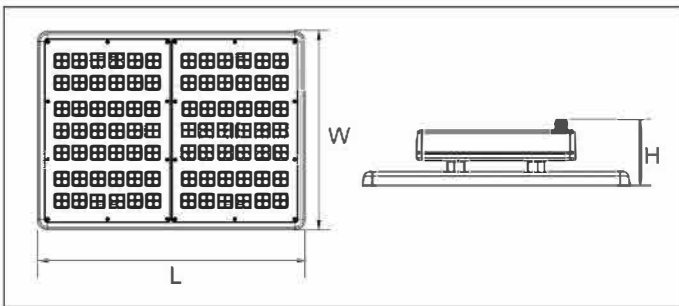






## Features

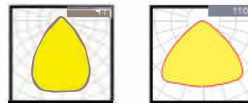
Housing: Pure Aluminum  
 Thermal Conductivity: 226 W/m·K  
 Led: CREE JK 3030  
 CRI: Ra>80 (90 for option)  
 SDCM: <4 (<3 for option)  
 Power Factor: >0.95  
 THD: <15  
 Driver: Meanwell ELG  
 Driver Efficiency: >93%  
 Protection: OTP, OCP, OVP, SCP  
 Surge Protection: 6KV  
 Waterproof: IP65  
 Impact Test: IK08  
 Electrical: 100-277V, 50/60Hz  
 Operating Temperature: -40~70 °C  
 Tm21: L90B10>50,000H  
 Lifetime: 50,000H



## Functions

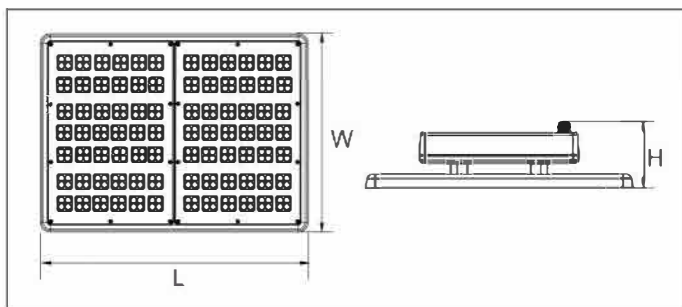
ZigBee • PWM • DALI • 0/1~10V • Micro-wave

## Optical options:



Model	Watt	Voltage	Lumen	CRI	IP	Dimension
HB060M2F-CM	60W	100~277	7800	>80	IP65	362*257*120
HB100M2F-CM	100W	100~277	13000	>80	IP65	362*257*120
HB150M2F-CM	150W	100~277	19500	>80	IP65	362*257*120
HB200M4F-CM	200W	100~277	26000	>80	IP65	487*362*120

# Packing



Model	A*B*C (mm)	Outer Carton(mm)			QTY / Outer CTN	NW/CTN	GW/CTN
HB060M2F-CM	362*257*100	415	310	175	1	3.8	4.5
HB100M2F-CM	362*257*100	415	310	175	1	3.8	4.5
HB150M2F-CM	362*257*100	415	310	175	1	4.2	5.0
HB200M4F-CM	487*362*100	540	415	175	1	5.5	6.5