

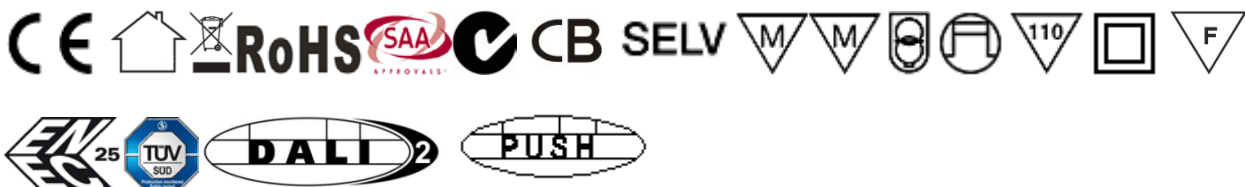
LEDGEAR[®] Specification

GENERAL GUIDELINES.....	1	Release of the wiring	9
PARAMETERS	3	Looping Circuit diagram.....	9
DRIVER PERFORMANCE CURVE	5	Wiring type and cross section	10
DIMMING OPERATION.....	6	Wiring guidelines.....	10
Dimming type	6	Miniature circuit breaker application ..	10
PUSH Dimming	6	Fixing conditions	11
DALI 2 Dimming.....	7	DIP Switch Table.....	11
DIAGRAM&INSTALLATION MANUAL	8	MECHANICAL	12
Isolated circuit (Fly-back CV + DC-DC control).....	8	PACKAGING	12
Insulation between circuits	8		

GENERAL GUIDELINES

LEDGEAR[®] C6, a DALI-2 & Push-DIM independent ECG, design with through wiring and super large wiring space, saving a lot of time and effort on the actual wiring work on site. Big push-fit looping connectors are quick to connect cables with, supporting also various wire thicknesses. Wires are secured to the driver with click-on cable clamps, and strain relief cover clicks on effortlessly securing the connections without any need for screws.

The output current can be programmed by DALI or selected by DIP switches which allows you to adjust the constant output current to work with different power LED modules. It helps to reduce the inventory and faster to projects. These LED drivers provide Amplitude Modulation(AM, or CCR) current output, this LEDGEAR[®] C6 LED drivers is ideal for independent use with Class I, II and III luminaires, you can be sure to offer your customers high quality of light without visual flicker and stroboscopic effects to work in TV studios and security camera environments.



LED Electronic Looping Control Gear

DALI-2, Push-dim Constant Current Output

With 14-42VDC 650mA-1100mA Adjustable Output Series

Product description

- Design DALI-2, Push-DIM, output 2in1 dimming
- DALI member, compatible with universal DALI application controllers(also called masters, DALI USB)
- IEC 62386 Part 101,102(DALI-2), 207 qualified and tested in DALI house
- Reliable, Class II, SELV according EN 61347
- ENEC, CE, CB approved by TUV SUD, SAA, Ctick qualified
- $\pm 5\%$ output current accuracy(under maximum load)
- Permissible AC cable 0.75-2.5mm² wire gauge, 8~10mm PVC jacket diameter
- Protection for output open load, short circuits, over voltage and over temperature
- Built-in with permanent memory for DALI and Push-DIM, 100,000 times memory
- 85°C Maximum case operation temperature(tc-point ¹)
- Operating temperature ¹: -25°C ~ +50°C, the humidity: 20% ~ 85%
- Over 60,000 hrs nominal lifespan at tc=70°C
- Five-year factory guarantee and lifetime technical support ¹

¹ "Detailed data please refer to the " PARAMETERS" table .

Features & Benefits

Flexibility & Optimized Inventory

- Both model covers wattages from 9.1W to 42W and differs in lifespan
- Wattage selectable by 4xDIP switches.
- Push-fit secondary terminals for LED module wires

Human Centric Design

- Easy & Quick connection with push-fit terminals and clip-on end cap for strain relief, super large wiring space
- Loop in & loop out function, max.2.5mm² cross section L, L, N, N, DA, DA,DA,DA stranded wire or solid wire
- Loose wiring inspection don't need to open the transparent end cap

Suitable for Emergency Lighting

- Suitable for Central Emergency System, CBS (central battery system)
- 50/60Hz and 0Hz(for emergency system)
- Suitable for emergency escape lighting systems according to EN 50172, LEDGEAR[®] can work with emergency DC voltage input, such as work with backup or emergency LED drivers(batteries).

Housing Properties

- Casing: polycarbonate, white
- Type of protection IP20

Typical applications

- For spot light and downlight in retail and hospitality applications
- For panel light and area light in office and education application

LED Electronic Looping Control Gear

DALI-2, Push-dim Constant Current Output

With 14-42VDC 650mA-1100mA Adjustable Output Series

PARAMETERS

MODEL	C650-421100DB-F	
Output	Output voltage	14-42V(Output current \leq 1000mA); 14-38V(Output current $>$ 1000mA);
	Rated current	650 -1100mA (preselected 650mA)
	Maximum power	42W
	Current tolerance	\pm 5%
	Dimming Range	DALI-2: 2%-100%; Push-DIM: 3%-100%; AM dimming mode
	Ripple voltage ²	200mVp-p
	Ripple current	220mA _{p-p}
	Line regulation	\pm 1%
	Load regulation	\pm 3%
	Flicker percentage ³	$<$ 3%
	Starting time	$<$ 500mS
	Turn off time	$<$ 2.0S
	Noise ⁴	$<$ 22dB
Input	Voltage	Rated:220-240V; Range:200-264V;
	Frequency	Rated:50-60Hz, 0Hz; Range:47-63Hz, 0Hz;
	Power factor	\geq 0.9; (Output power \geq 22W)
	I-THD ⁵	\leq 15%
	Efficiency ⁶	\geq 86%
	AC current	300mA max.
	Inrush current ⁷	30A
	Inrush current time	50uS
	Leakage current	$<$ 1mA
	ON/OFF switches cycle	$>$ 100,000
	Standby power	$<$ 0.5W
Protection	Over current	Constant current limiting, recovers automatically after fault condition is removed
	Over voltage	Shut down output voltage, with auto-recovery or re-power on to recovery
	Over temperature	Shut down output voltage, recovers automatically after temperature goes down
	Short circuit	Constant current limiting, recovers automatically after fault condition is removed
Safety & EMC	Safety standards	EN61347-2-13; Design refer to TUV EN60950-1, TUV EN61347-1
	Withstand voltage	I/P-O/P:3KV _{vac} I/P-FG:1.5KV _{vac} O/P-FG: 500V _{dc}
	Isolation resistance	I/P-O/P, I/P-FG, O/P-FG:100M Ohms/500V _{dc} /25°C/75%RH
	EMC emission ⁸	EN55015B, EN55022 Class B, EN61000-3-2, EN61000-3-3
	EMC immunity	EN61000-4-2, EN61547, EN55024, EN-61000-4-5 Surge immunity Line-Earth: 2KV, L Line- N Line:1KV;
Environment	Ambient temperature range ⁹	-25°C ~ +50°C(Output power $<$ 40W); 25°C ~ +45°C(Output power \geq 40W);
	Max. case temperature(tc) ¹⁰	85°C
	Relative humidity range	20% ~ 85%RH
	Storage temperature range	-30°C ~ +75°C

LED Electronic Looping Control Gear

DALI-2, Push-dim Constant Current Output

With 14-42VDC 650mA-1100mA Adjustable Output Series

max. No. of PSUS(Driver supply unit) on miniature circuit breaker(MCB)	MCB TYPE A	10A	26pcs @ 36V,1100mA Output
		16A	42pcs @ 36V,1100mA Output
		20A	52pcs @ 36V,1100mA Output
	MCB TYPE B	10A	28pcs @ 36V,1100mA Output
		16A	45pcs @ 36V,1100mA Output
		20A	56pcs @ 36V,1100mA Output
	MCB TYPE C	10A	33pcs @ 36V,1100mA Output
		16A	52pcs @ 36V,1100mA Output
		20A	65pcs @ 36V,1100mA Output
Others	Dimming control mode		DALI-2, Push dimming
	Memory function		DALI and Push with memory function
	DALI Standard		IEC 62386-101: 2014, IEC 62386-102: 2014, IEC 62386-207: 2009, DALI-2
	Lifetime(hrs)@tc=70°C		>60,000H
	MTBF [MIL-HDBK-217F(ta=25 °C		501K Hrs min
	Glow wire test		850°C for 5S; 650°C for 30S
	Dimension L x W x H		130.5 x 73 x 29.8mm
	Warranty years		5 years
(*If demand other output voltage and output current, contact your sales consultant or contact us: www.kinglumi.com)			

“2” Ripple voltage is measured at 20MHz of bandwidth by using a 12” twisted pair-wire terminated with a 100nF & 47uF parallel capacitor.

“3” The flicker for frequencies of 200 Hz or below, input voltage 230Vac , at 100% output current level and 20% output current level with dimmer attached, output current ripple is defined as $[(I_{max} - I_{min}) / (I_{max} + I_{min})] * 100\%$, (CEC-400-2016-018-FS, Title 24 part 6 JA8).

“4” The noise of LED driver is defined as test data when driver tested in noise room with 50~60dB environment, and been hang in 1ft (305mm) inside chamber.

“5” Rated voltage input, rated output current, maximum output current.

“6” The typical efficiency is test data of output current at input @230Vac with 36V output voltage, maximum output current.

“7” The inrush current is test data of 230Vac input, cold start, measured at input current peak.

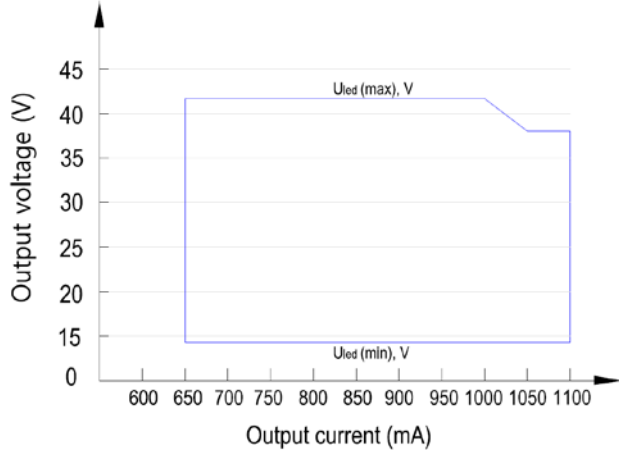
“8” The driver is considered as a component that will be operated in combination with final equipment. Since EMC performance will be affected by the complete installation, the final equipment manufacturers must re-qualify EMC directive on the complete installation again.

“9” For other than independent use, higher ta of the control gear possible as long as highest allowed tc point temperature is not exceeded.

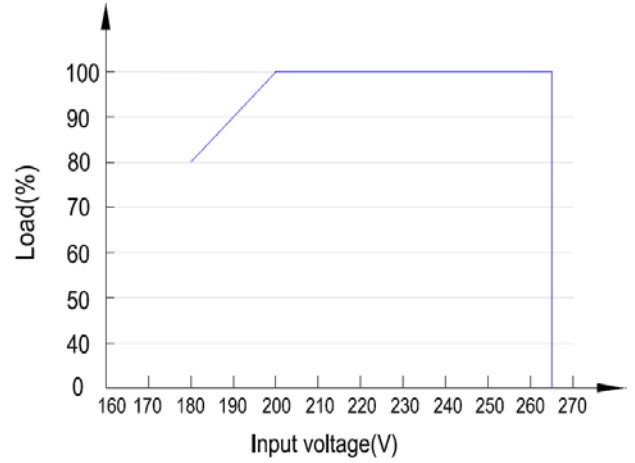
“10” The tc is defined as the highest permissible temperature which may occur on the outer surface of the power under normal operating conditions and at the rated voltage/current/power or the maximum of the rated voltage/current/power range, refer to “output power vs temperature” section.

DRIVER PERFORMANCE CURVE

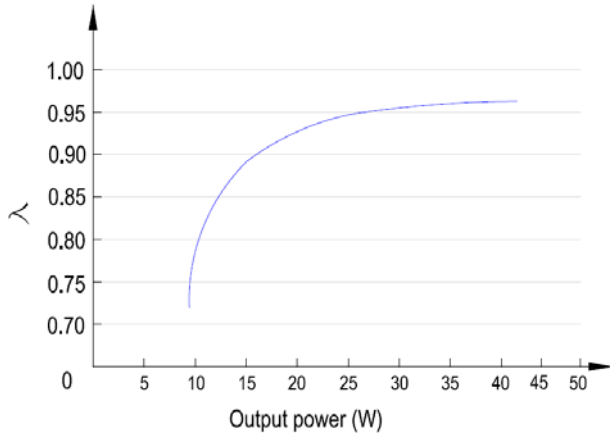
Operating window



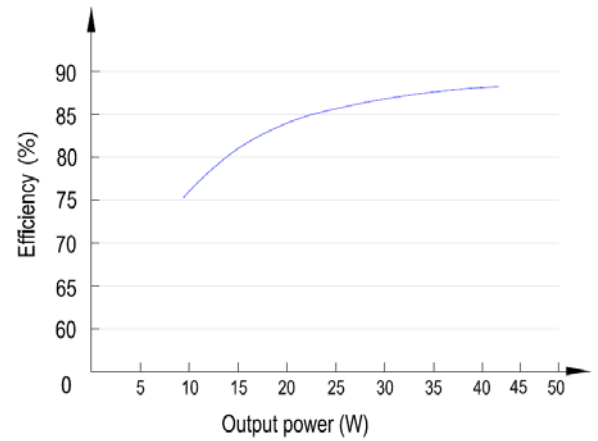
Typical load output



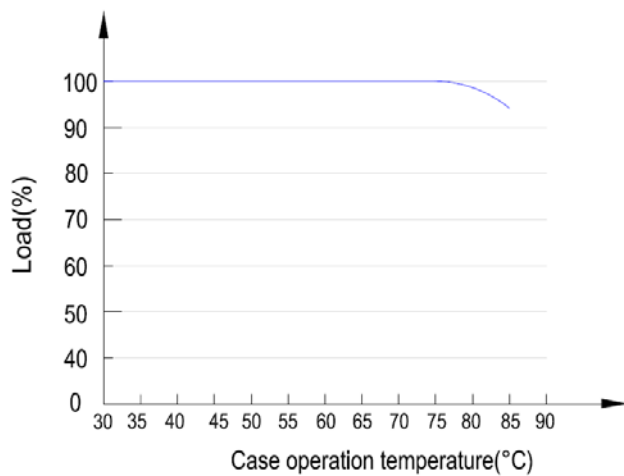
Typical power factor



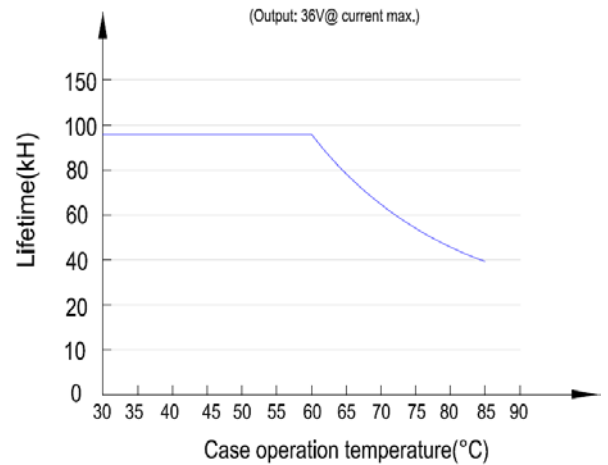
Typical efficiency



Typical case temperature(t_c)



Typical lifetime



LED Electronic Looping Control Gear

DALI-2, Push-dim Constant Current Output

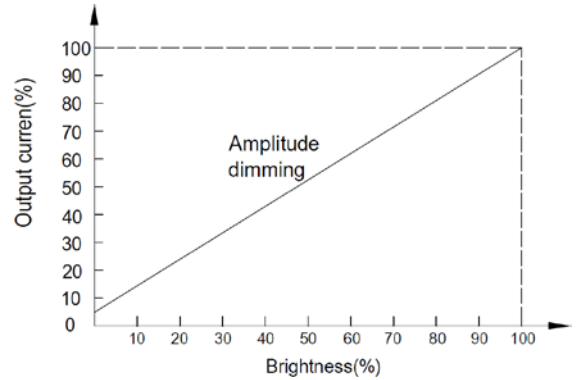
With 14-42VDC 650mA-1100mA Adjustable Output Series

DIMMING OPERATION

Dimming type

Amplitude Modulation, short as "AM", also known as Constant Current Reduction(CCR) or Analog Dimming. The AM dimming is completely invisible when camera recording but on the other hand a possible LED colour shifting could occur at low level dimming, together with a possible LED light instability due to physical differences between LEDs.

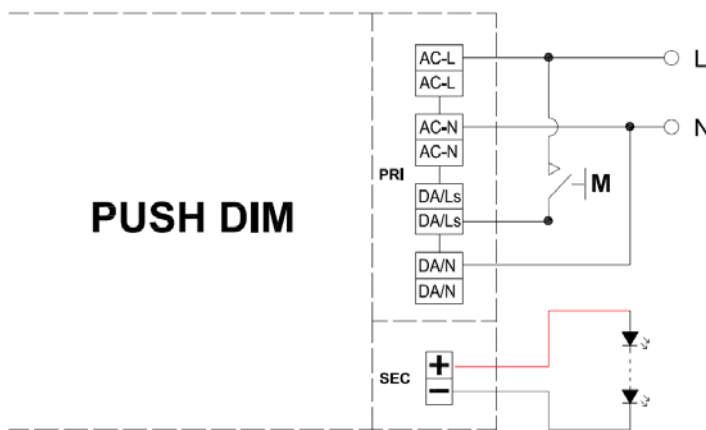
Kinglumi® ENHANCED amplitude dimming technology is realized by adjusting the reference voltage supplied to the LED Module. It has the advantage of no surge current and high efficiency. DIM-TO-WARM LED modules are compatible with AM dimming.



PUSH Dimming

PUSH-DIM, also known as Switch-Dim or Touch-Dim. To be able to make simple light management systems, the C6 driver also integrated PUSH-DIM Function. This makes it possible to dim and switch them directly with mains AC voltage using the PUSH control terminals (PUSH-DIM interface). Only one commercial push-button is required; the controller takes over the drivers. PUSH-DIM may never be used at the same time as a DALI control system.

Circuit diagram



Wiring and cable compensation

- Do not use more than 20pcs C6 driver in a single PUSH-DIM application (up to 20 C6 Driver can be controlled by one push-button). The greater the number of C6 series driver controlled imultaneously, the greater the risk of asynchronisms.
- The cable length between the push-button and the farthest C6 series driver may not be longer than 105 meters. Compensation measures must be applied for line lengths required to be more than 105 meters long (bell transformer, resistance).
- The push button can only be connected to the AC/L and PUSH terminals of the driver. It results in the short circuit if the Push Button is connected to the AC/N terminal.

LED Electronic Looping Control Gear

DALI-2, Push-dim Constant Current Output

With 14-42VDC 650mA-1100mA Adjustable Output Series

Instructions

Operation	Action duration	Action
Ultra Short Press	<0.04 sec	Won't cause any action
Briefly Press	0.04-0.5 sec	Light ON/OFF
Press and hold at ON status	0.50-5.0sec	Brightness Dimming down to 2%, or up to 100%
Press and hold at OFF status	0.50-5.0sec	Brightness Dimming From 2% up to 100%
Long Press	>10.0 sec	Reset to factory settings(up to 50%)

Note:

- a) Factory defaults 100% brightness, dimming level down to 2%.
- b) Built-in with permanent memory:
Light returns to the previous dimming level when switched off and on again, even at power failure.
- c) Synchronization of switching state and dimming direction:
For physical reasons, a PUSH-DIM system can work asynchronously; in other words, the switching state and dimming direction of the individual luminaires are different. The following steps are used to synchronize a PUSH-DIM system:
 1. Step: Press and hold (> 0,5 s) → All luminaires switch on
 2. Step: Press briefly (< 0,5 s) → All luminaires switch off
 3. Step: Press and hold (> 0,5 s) → All luminaires switch on and dim
- d) The PUSH-DIM wiring and the operator button must be rated for mains voltage (240 V).
- e) Warning: Make sure the conduct core connected to PUSH terminal is not exposed, as it connected to the live wire.

Asynchronism

As a matter of principle, asynchronisms can occur with push-button operation in systems with more than one C6 driver. The higher the number of C6 Driver and the longer the control line length, the greater the chance of asynchronisms. In order to avoid lighting installations running asynchronously in practice, the permissible number of C6 series (20) and the total line length of 25 meters must be adhered to.

DALI 2 Dimming

The DALI logo, is only allowed to use for members of the DiiA. The LEDGEAR® C6 series is DALI-compliant to any DALI master or application controller if they bear the DALI logo.

Instructions

- a) Compatible with both DALI-2 application controller or DALI-I master, please make sure they also qualified and listed in the DiiA website.
- b) Connect the DALI signal to the DA1 and DA2 terminals (polarity-free)
- c) Addressing possible:
 - Individually (max. 64 IP addresses)
 - In groups (max. 16)
 - All together
- d) The least dimming depth of DALI is of 3% * Iout.
- e) Built-in with permanent memory: light returns to the previous dimming level when switched off and on again, even at power failure.
- f) Supports star, tree, serial, parallel wiring ,but not supports ring wiring
- g) If the C6 series are not reacting to the command of the control unit. Please inspect the wiring; approx.

LED Electronic Looping Control Gear

DALI-2, Push-dim Constant Current Output

With 14-42VDC 650mA-1100mA Adjustable Output Series

16 V DC must be applied to the DALI terminal of the C6 series.

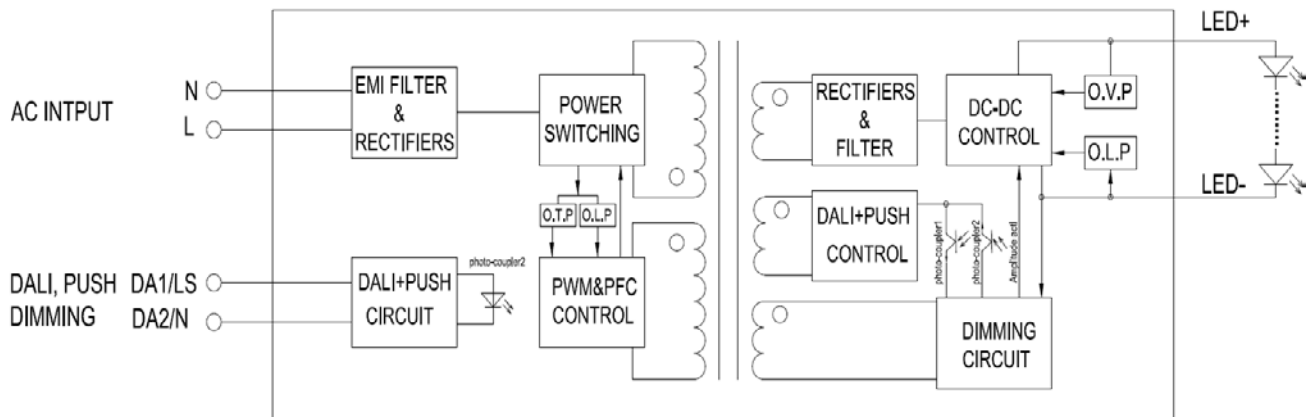
DALI INPUT	MIN	TYP	MAX
High level	9.5V	16V	22.5V
Low level	-6.5V	0	6.5V

h) DALI bus communication length and input wire diameter

Wire Diameter	DALI Bus Communication length
0.5 ² mm	100m Max.
0.75 ² mm	150m Max.
1.0 ² mm	200m Max.
≥1.5 ² mm	300m Max.

DIAGRAM&INSTALLATION MANUAL

Isolated circuit (Fly-back CV + DC-DC control)



Insulation between circuits

Electric Insulation	Input	Output	Housing	DALI	PUSH
Input	X	Reinforced	Reinforced	Basic	Non
Output	Reinforced	X	Basic	Reinforced	Reinforced
Housing	Reinforced	Basic	X	Reinforced	Reinforced
DALI	Basic	Reinforced	Reinforced	X	Basic
PUSH	Non	Reinforced	Reinforced	Basic	X

LED Electronic Looping Control Gear

DALI-2, Push-dim Constant Current Output

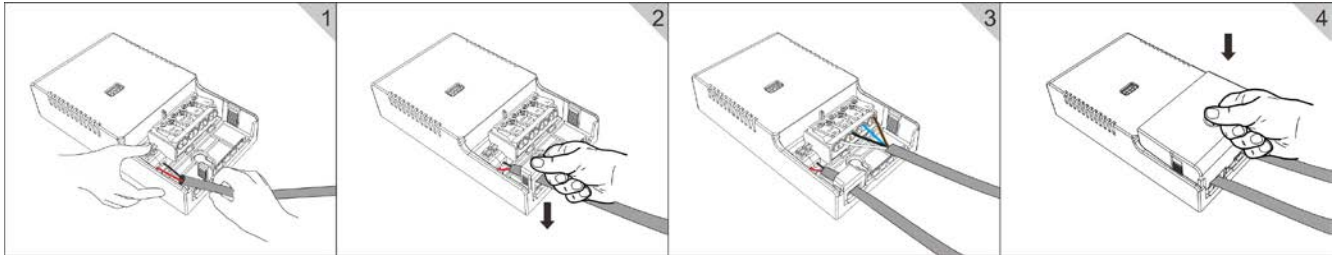
With 14-42VDC 650mA-1100mA Adjustable Output Series



KINGLUMI CO.,LTD.

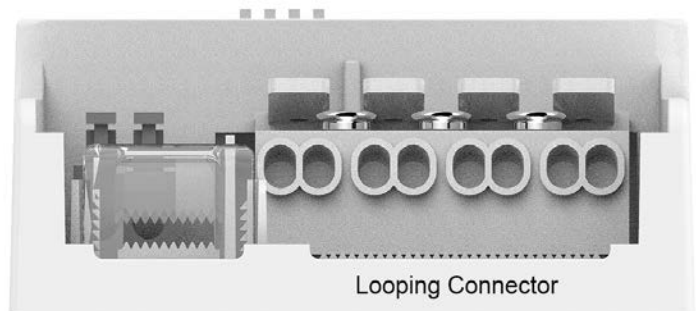
Release of the wiring

Press down the "push button" and remove the cable from front.

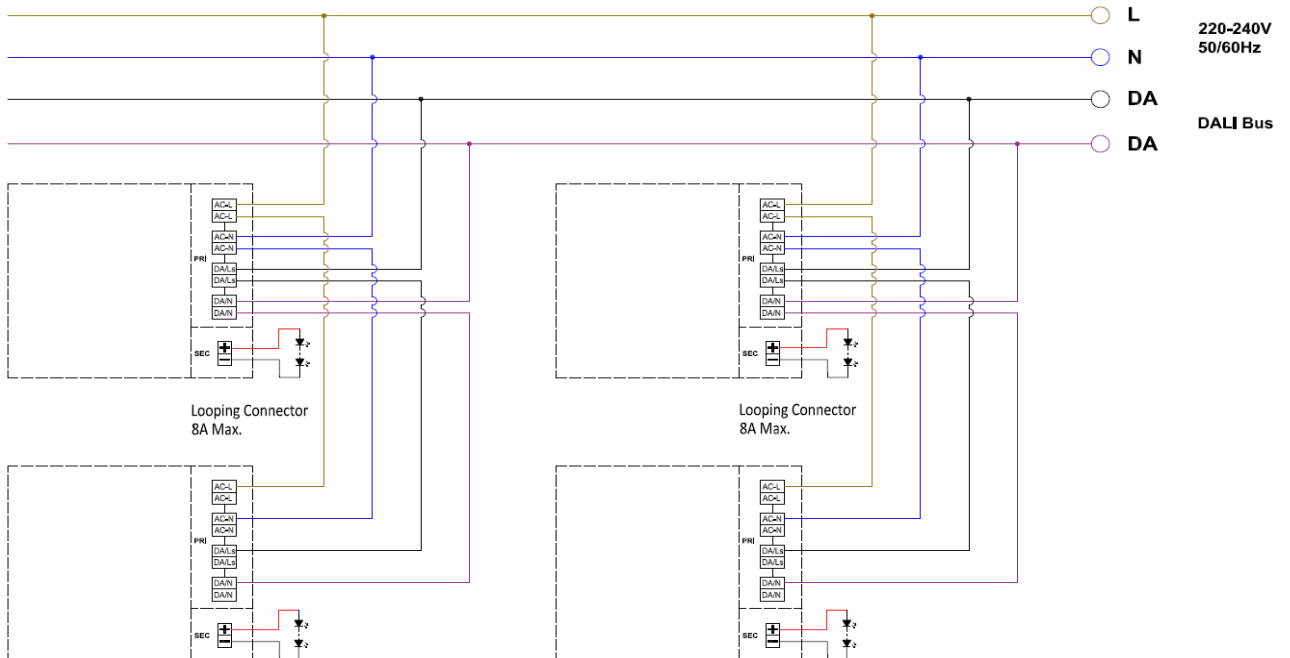


Looping Circuit diagram

These LEDGEAR® drivers provides "through wiring functions" at primary for the L,N input and DALI1,DALI2, which allows quick looping from driver to driver and save the installation labour.



Looping Connector



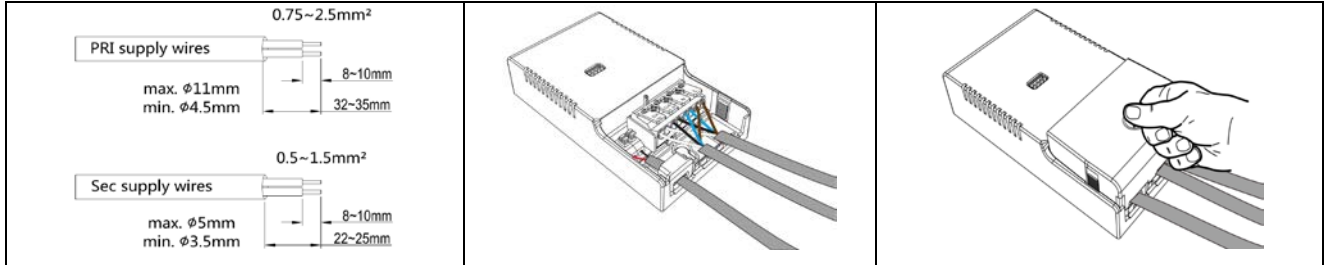
LED Electronic Looping Control Gear

DALI-2, Push-dim Constant Current Output

With 14-42VDC 650mA-1100mA Adjustable Output Series

Wiring type and cross section

The wiring can be in stranded wires with ferrules or solid with a cross section of 0.75–2.5 mm². Strip 8-10mm of insulation from the cables to ensure perfect operation of the push-wire terminals. Use one wire for each terminal connector only



Wiring guidelines

- All connections must be kept as short as possible to ensure good EMI behavior.
- Mains leads should be kept apart from LED Driver and other leads (ideally 10 – 30 cm distance).
- Incorrect wiring can damage LED modules.
- The wiring must be protected against short circuits to earth (sharp edged metal parts, metal cable clips, louver, etc).

Miniature circuit breaker application

Total continuous current of the drivers and installation environment must always be considered and taken into calculations when installing drivers behind miniature circuit breaker(MCB).

Quantity of drivers(36V @1100mA Output) per miniature circuit breaker 16 A Type C

Based on inrush current I_{peak}	Typ. peak inrush current I_{peak}	1/2 value time, Δt	Calculated energy, $I_{peak}^2 \Delta t$
52pcs	30A	87uS	0.079A ² s
			<p>Example calculation of total drivers amount limited by continuous current: $n(I_{cont}) = (16 A (I_{nom}, t_a) / \text{"nominal mains current with full load"}) \times 0.65$. This calculation is an example according to recommended precautions due to multiple adjacent circuit breakers (> 9 MCBs) and installation environment ($t_a=30^\circ\text{C}$); variables may vary according to the use case. Both inrush current and continuous current calculations are based on "Schneider Acti9" series circuit breakers. More specific information in "Schneider Acti9" series circuit breaker documentation.</p>

NOTE ! Type B or C MCB's are strongly recommended to use with the LED driver.

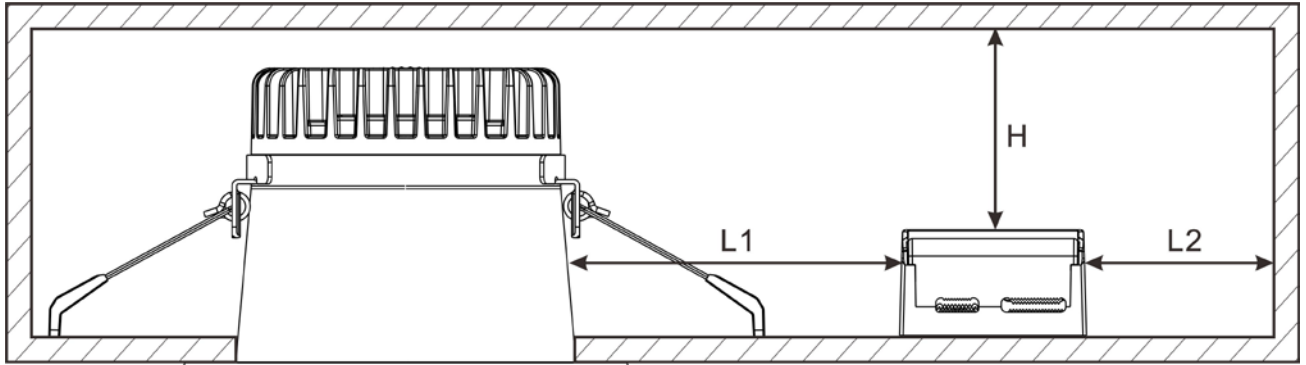
LED Electronic Looping Control Gear

DALI-2, Push-dim Constant Current Output

With 14-42VDC 650mA-1100mA Adjustable Output Series

Fixing conditions

Dry, acid-free, oil-free, fat-free. It is not allowed to exceed the maximum ambient temperature (ta) stated on the device. Minimum distances stated below are recommendations and depend on the actual luminaire. Is not suitable for fixing in corner.

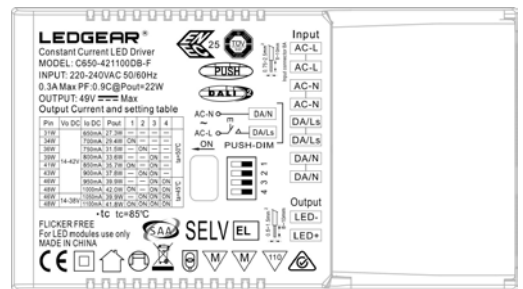


Model \ Size	L1(min.)	L2(min.)	H(min.)
C650-421100DB-F	100mm	20mm	30mm

DIP Switch Table

LEDGEAR® C6 series is a multiple-stage constant current driver, selection of output current through DIP switch is exhibited below

Output			DIP Switch			
Voltage	Current	Power	1	2	3	4
14-42V	650mA	27.3W	-	-	-	-
	700mA	29.4W	ON	-	-	-
	750mA	31.5W	-	ON	-	-
	800mA	33.6W	-	-	ON	-
	850mA	35.7W	ON	-	ON	-
	900mA	37.8W	-	ON	ON	-
	950mA	39.9W	-	-	ON	ON
	1000mA	42.0W	ON	-	ON	ON
14-38V	1050mA	39.9W	-	ON	ON	ON
	1100mA	41.8W	ON	ON	ON	ON



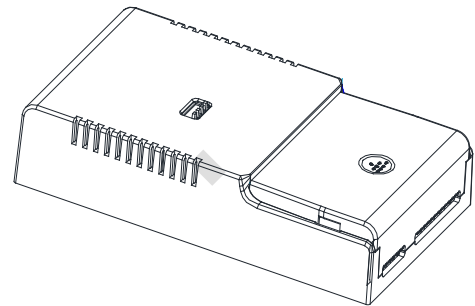
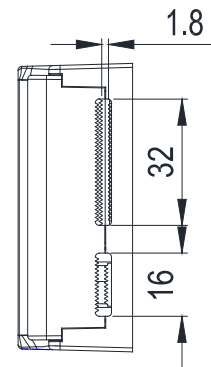
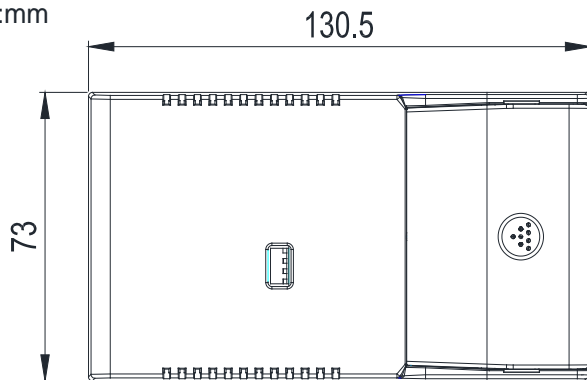
LED Electronic Looping Control Gear

DALI-2, Push-dim Constant Current Output

With 14-42VDC 650mA-1100mA Adjustable Output Series

MECHANICAL

Unit:mm



PACKAGING

Part Number	Dimension	Gross Weight	Net Weight	Qty/Carton
C650-421100DB-F	510x330x205mm	12kg	10kg	50pcs

LED Electronic Looping Control Gear

DALI-2, Push-dim Constant Current Output

With 14-42VDC 650mA-1100mA Adjustable Output Series

VERSION #

#	MODIFICATIONS	Date.
1	Version 1	2020.8.20
2		
3		
4		
5		
6		
7		
8		
9		
10		
11		
12		

Copyright 2019-2025 by Kinglumi Co., Ltd.(K&L) All rights reserved. The information in this document is subject to change without notice.