

# STREAMLINE

LED GADELAMPE





**170**  
**LM/W**

.....  
Die-cast Housing  
With tempered glass  
Surge Protection 6KV  
With Anti-UV lens  
.....



**Smooth Surface**  
Eliminate the risk of dust and water accumulation



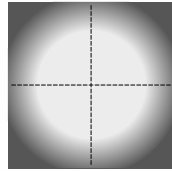
**Streamlined design**  
minimize light loss

**IP66**

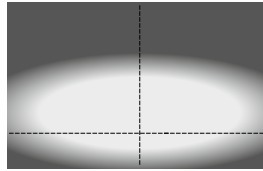




The symmetric light distribution is ideal for illuminating squares, plazas and other open areas while the asymmetric light distribution is ideal for illuminating streets and pathways.

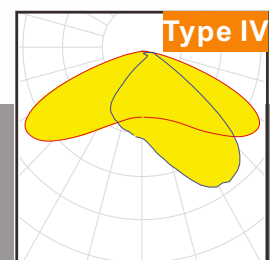
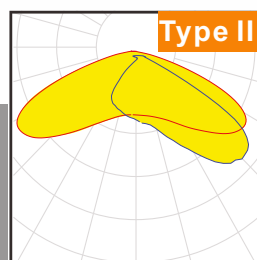
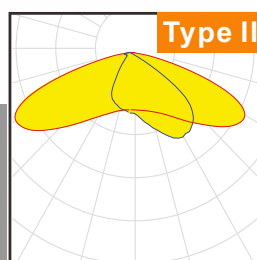
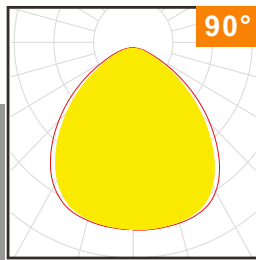


Symmetric

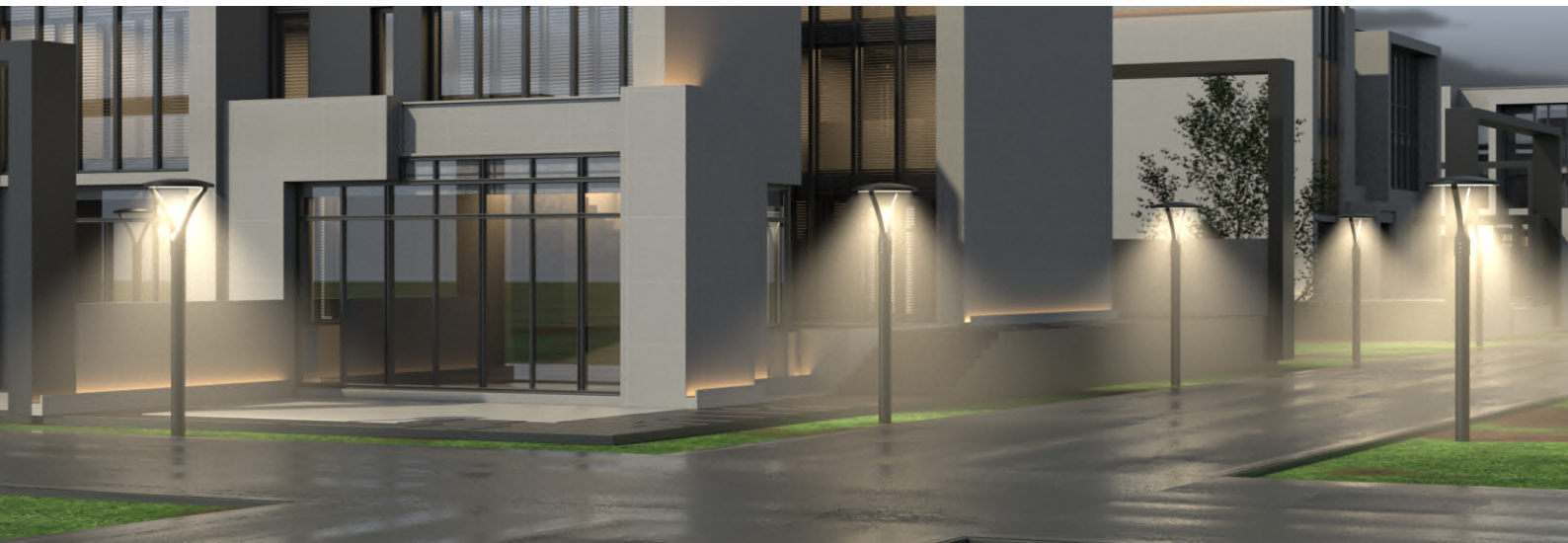


Asymmetric

## Professional Optics



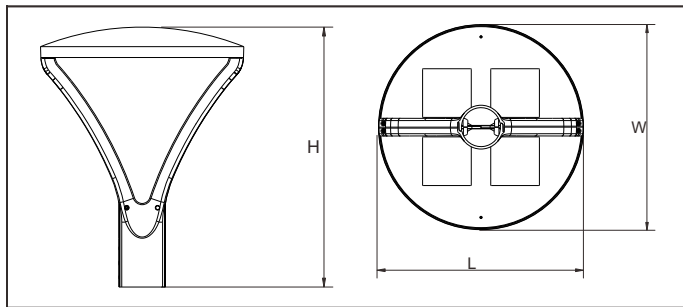
IESNA STANDARD	Roadway width / Mounting Height	
	One side mounting	Both side mounting
Type II	Up to 1 times MH	Up to 2 times MH
Type III	Up to 1.5 times MH	Up to 3 times MH
Type IV	Up to 2 times MH	Up to 4 times MH





## Features

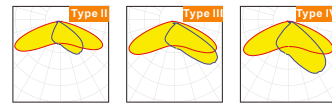
Housing: Die-cast Aluminum  
 Thermal Conductivity: 96 W/m·K  
 Led: Philips  
 CRI: Ra>80  
 SDCM: <4  
 Power Factor: >0.95  
 THD: <15  
 Driver: Meanwell  
 Driver Efficiency: >93%  
 Protection: OTP, OCP, OVP, SCP  
 Surge Protection: 6KV  
 Waterproof: IP66  
 Impact Test: IK08  
 Electrical: 100-277V, 50/60Hz  
 Operating Temperature: -40~50°C  
 TM21: L90B10>50,000H  
 Lifetime: 50,000H



## Functions

PWM · DALI · 0/1~10V

## Optical options:



170 lm/w

5 YEARS WARRANTY

Meanwell Driver

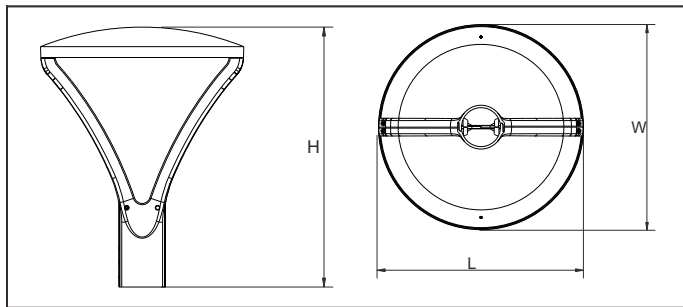
Philips LED

Model	Watt	Voltage	Lumen	CRI	IP	Dimension
64112	30W	100~277V	5100LM	>80	IP66	L422*W422*H539MM
64114	40W	100~277V	6800LM	>80	IP66	L422*W422*H539MM
64116	60W	100~277V	9600LM	>80	IP66	L422*W422*H539MM
64118	90W	100~277V	13500LM	>80	IP66	L422*W422*H539MM



## Features

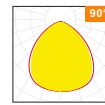
Housing: Die-cast Aluminum  
 Thermal Conductivity: 96 W/m·K  
 Led: Philips  
 CRI: Ra>80  
 SDCM: <4  
 Power Factor: >0.95  
 THD: <15  
 Driver: Meanwell  
 Driver Efficiency: >93%  
 Protection: OTP, OCP, OVP, SCP  
 Surge Protection: 6KV  
 Waterproof: IP66  
 Impact Test: IK08  
 Electrical: 100-277V, 50/60Hz  
 Operating Temperature: -40~50°C  
 TM21: L90B10>50,000H  
 Lifetime: 50,000H



## Functions

PWM · DALI · 0/1~10V

## Optical options:



150lm/w

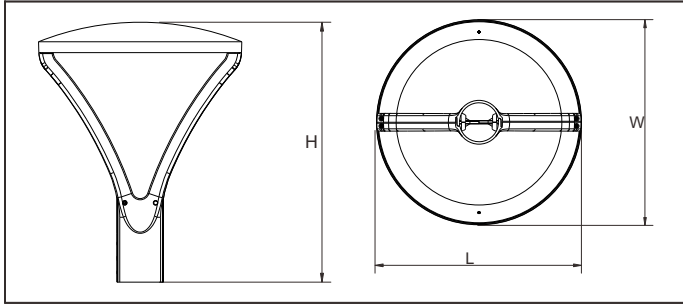
5 YEARS WARRANTY

Meanwell Driver

Philips LED

Model	Watt	Voltage	Lumen	CRI	IP	Dimension
LN030HEGH-PM	30W	100~277V	4500LM	>70	IP66	L422*W422*H539MM
LN040HEGH-PM	40W	100~277V	6000LM	>70	IP66	L422*W422*H539MM
LN060HEGH-PM	60W	100~277V	9000LM	>70	IP66	L422*W422*H539MM
LN090HEGH-PM	90W	100~277V	13500LM	>70	IP66	L422*W422*H539MM

# Packing



Model		Outer Carton (mm)		QTY/CTN	N.W. (kg)	G.W. (kg)
LN030GE	520	470	227	1	5.7	6.8
LN040GE	520	470	227	1	5.7	6.8
LN060GE	520	470	227	1	5.7	6.8
LN090GE	520	470	227	1	5.7	6.8