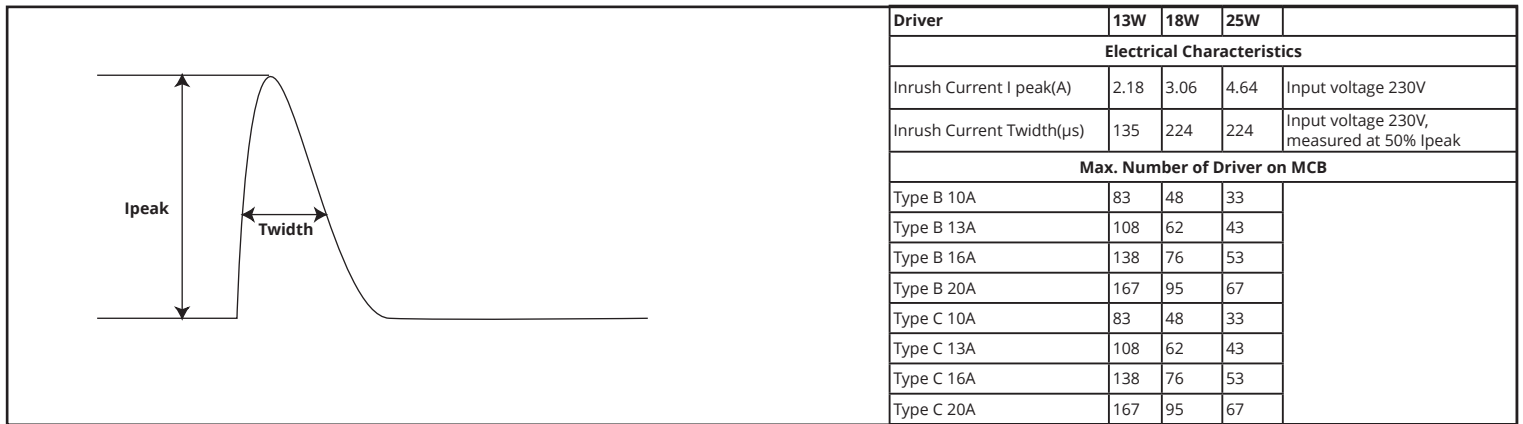
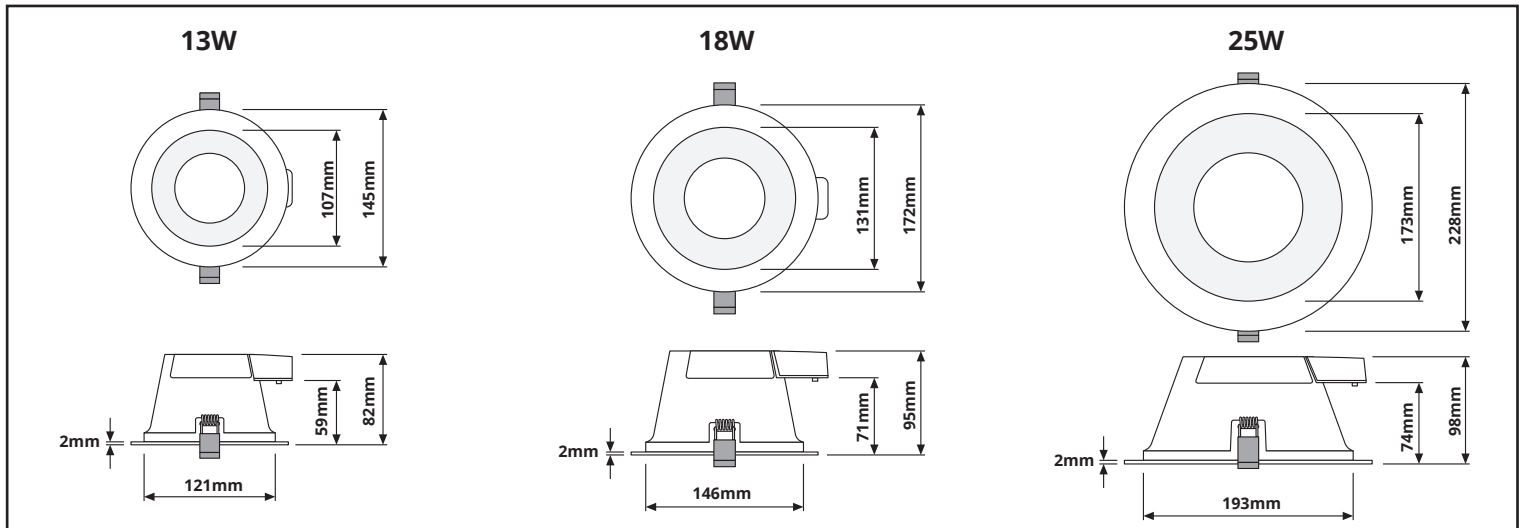


Item Description	EAN	CCT (K)	IP	IK	Ta (°C)	Vac	Hz	Input Current (A)	PF	CRI (Ra)	KG
LED Downlight Spectre SR IP54 13W 3000K-5700K 3-CCT Ø145 Cutout Ø125-135mm Triac Dimmable	8720094608167	3000/4000/5700	IP54	IK06	-20 ~+40	220-240	50/60	0.07	≥0.9	≥80	0.28
LED Downlight Spectre SR IP54 18W 3000K-5700K 3-CCT Ø172 Cutout Ø150-165mm Triac Dimmable	8720094608174	3000/4000/5700	IP54	IK06	-20 ~+40	220-240	50/60	0.09	≥0.9	≥80	0.45
LED Downlight Spectre SR IP54 25W 3000K-5700K 3-CCT Ø228 Cutout Ø200-210mm Triac Dimmable	8720094608181	3000/4000/5700	IP54	IK06	-20 ~+40	220-240	50/60	0.12	≥0.9	≥80	0.65

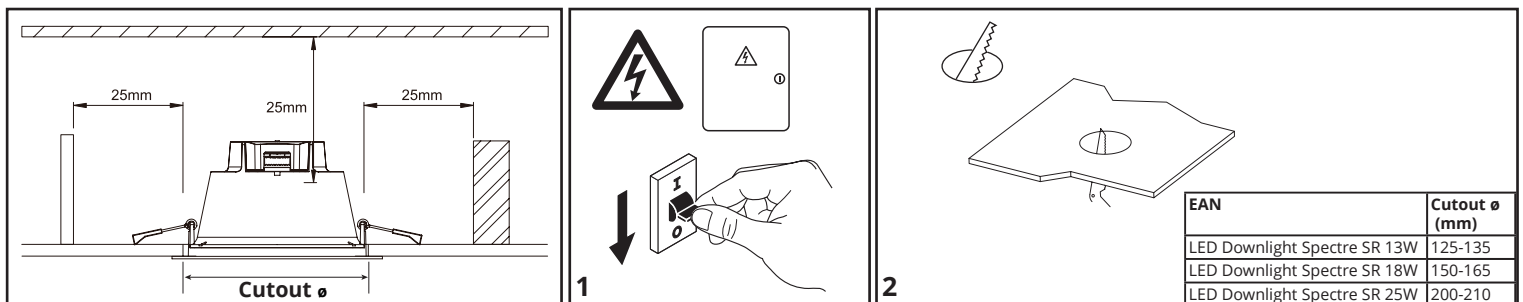
Inrush current

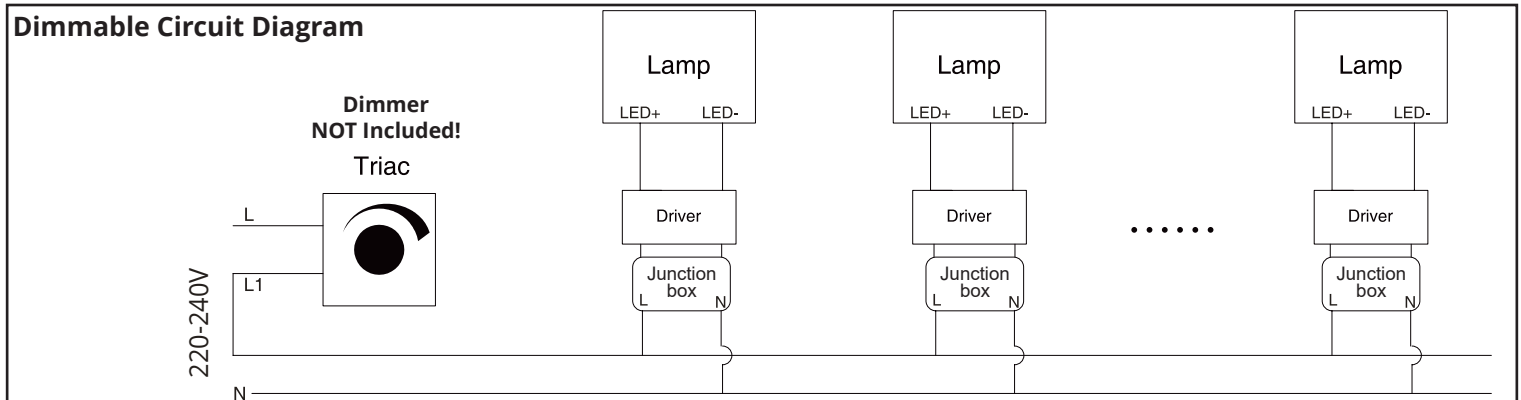
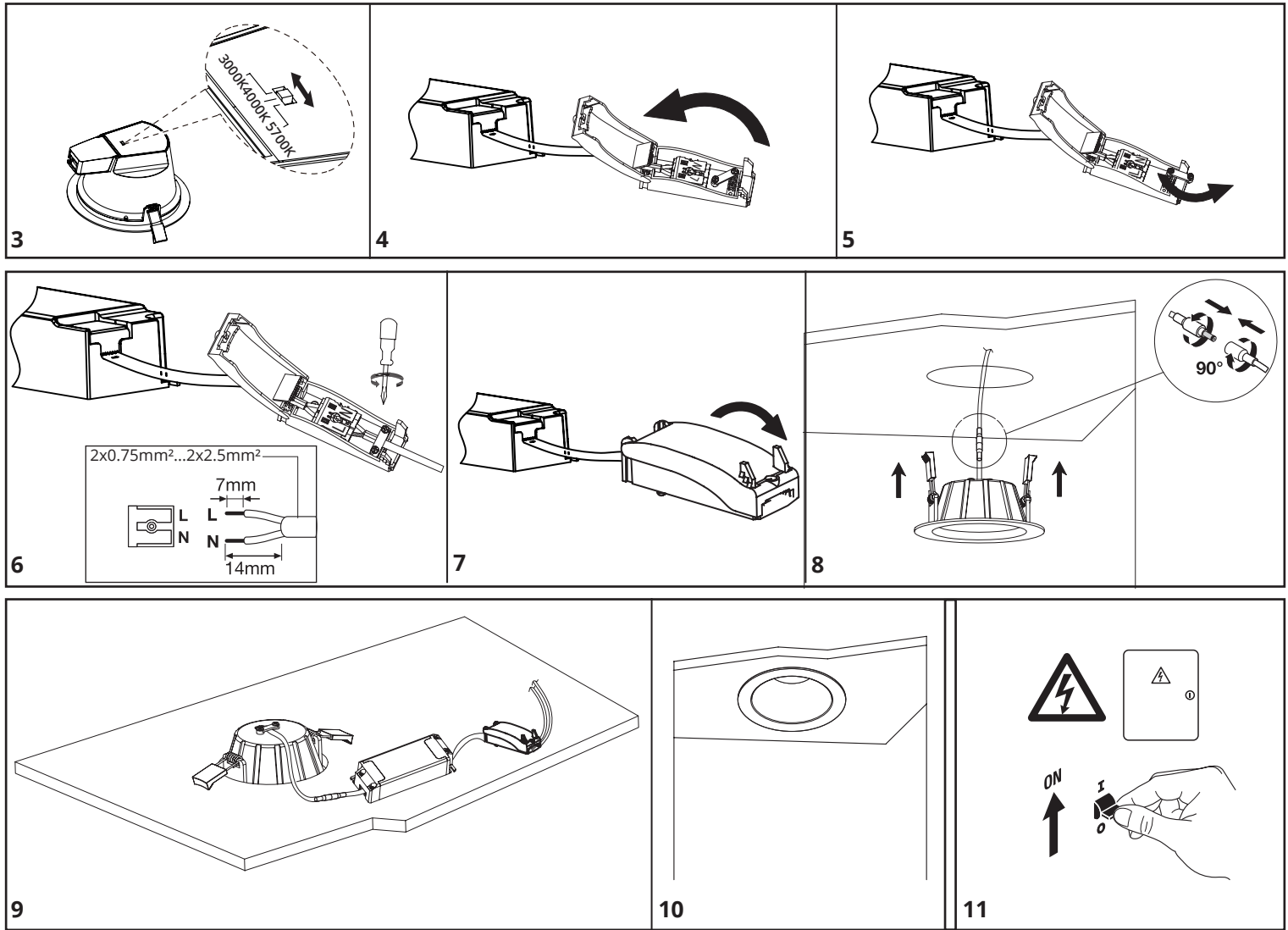


Dimensions



Installation





Warning

- Only qualified electrician is allowed to do installation, maintenance and inspection for safety concern. It is dangerous for non-professional operators.
- Power should be cut off before installation, maintenance or inspection.
- Please install and use the product strictly according to the instruction.
- Do not disassemble or remold the product at will to avoid accident of electric shock or light falling.
- Working out of temperature range of -20 ~ +40°C will shorten the lifetime of the product.

