

< Specifications. > **MEAN WELL DRIVER** Version:A1

(PIC)
Model No.



Photoelectric Spec

Item	Power	Input Voltage	Input Frequency	Leds	Power Factor	LuminousFlux	Beam Angle	Weight
65020	240W	AC100-277V	50/60HZ	PHILIPS 3030	>0.95	31200Lm	30°/60°100°	11.3 kg
65025	360W	AC100-277V	50/60HZ	PHILIPS 3030	>0.95	46800Lm	30°/60°100°	15 kg
65030	480W	AC100-277V	50/60HZ	PHILIPS 3030	>0.95	62400Lm	30°/60°100°	19.2 kg
65035	720W	AC100-277V	50/60HZ	PHILIPS 3030	>0.95	93600Lm	30°/60°100°	30 kg
65040	960W	AC100-277V	50/60HZ	PHILIPS 3030	>0.95	124800Lm	30°/60°100°	36 kg

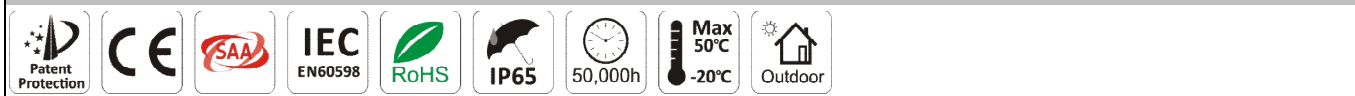
Light Source Spec

LED Type	PHILIPS 3030							
Color Accuracy(CRI)	CRI>80							
Color	WW(3000-3500K) NW (4000-4500K) CW(5000-6500K)							

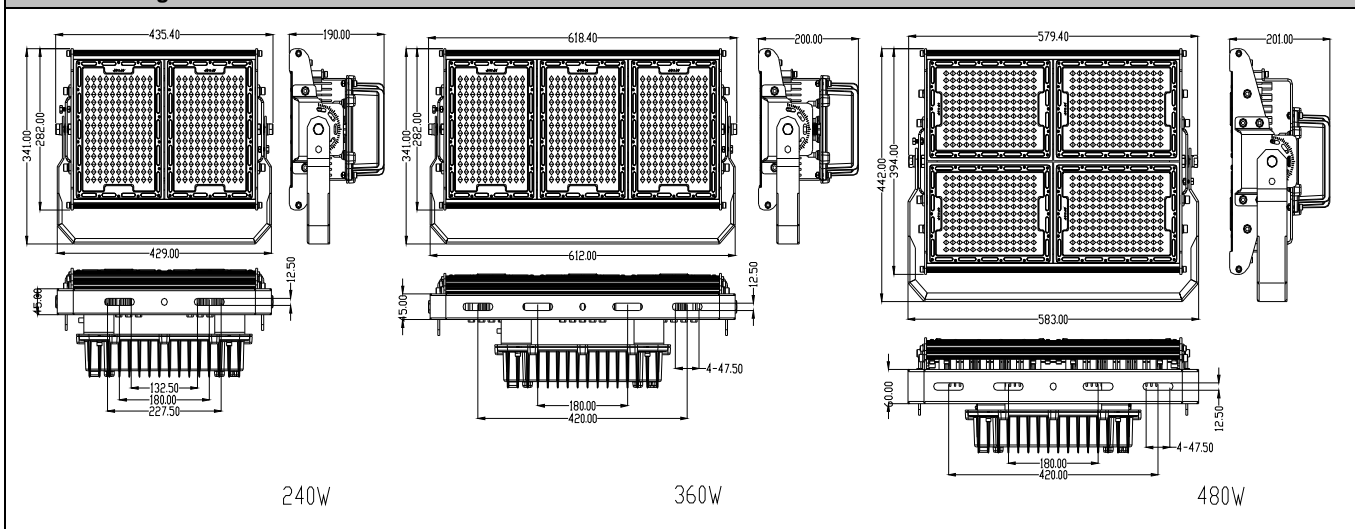
Environment Spec.

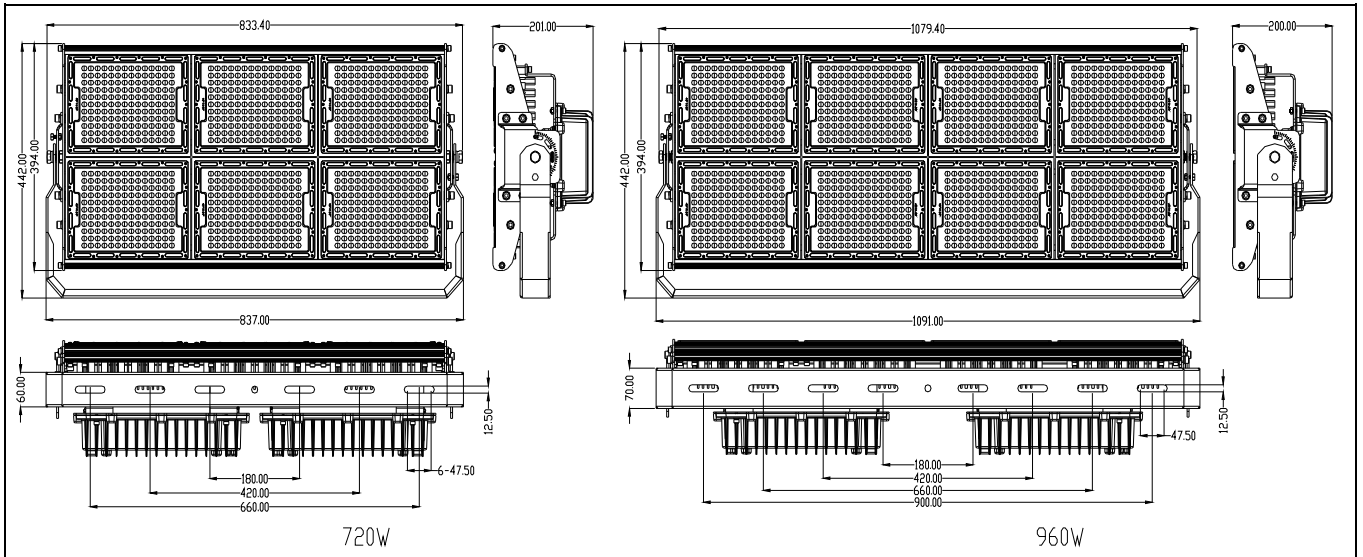
Operational Temperature Range	-20~50 °C
Preservation Temperature Range	-40~60 °C
Operational Humidity Range	95% Rh or below(@ -20°C~50°C)
Installation Area	Outdoor:IP65(Roadway, Pathway, Sidewalk,etc)
Lifespan	>50,000Hrs

Certification standard



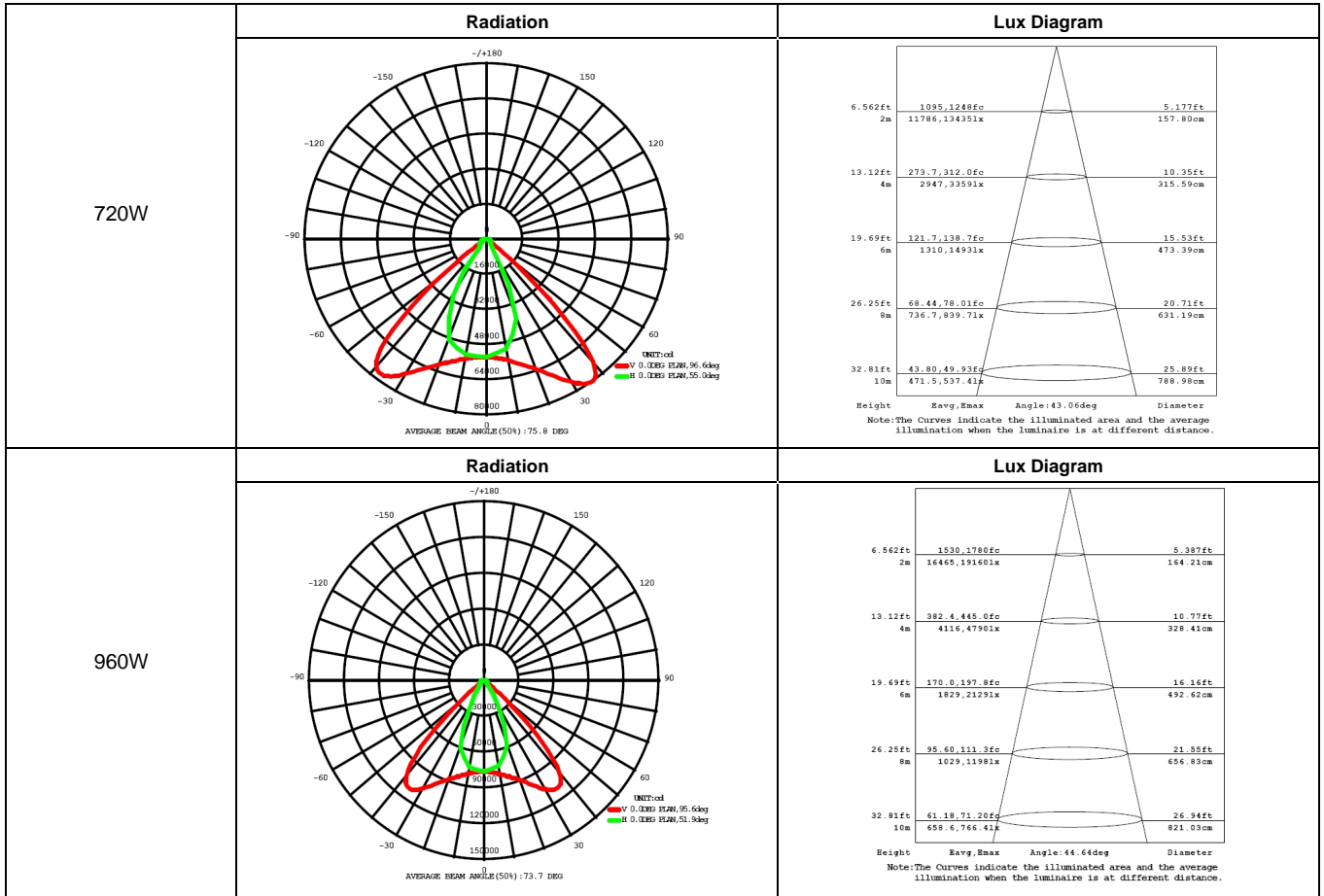
Dimension Diagram





Optical Spec

	Radiation	Lux Diagram																								
240W	<p>UNIT:cd V 0.0 DEG PLAN, 53.2deg H 0.0 DEG PLAN, 94.2deg AVERAGE BEAM ANGLE (50%): 73.7 DEG</p>	<table border="1"> <thead> <tr> <th>Height</th> <th>Eavg, Emax</th> <th>Angle: 32.51deg</th> <th>Diameter</th> </tr> </thead> <tbody> <tr> <td>6.562ft / 2m</td> <td>404.1, 434.2fc / 4350, 4673lx</td> <td></td> <td>3.826ft / 116.61cm</td> </tr> <tr> <td>13.12ft / 4m</td> <td>101.0, 108.5fc / 1087, 1169lx</td> <td></td> <td>7.652ft / 233.22cm</td> </tr> <tr> <td>19.69ft / 6m</td> <td>44.90, 48.24fc / 483.3, 519.3lx</td> <td></td> <td>11.48ft / 349.83cm</td> </tr> <tr> <td>26.25ft / 8m</td> <td>25.26, 27.14fc / 271.9, 292.1lx</td> <td></td> <td>15.3ft / 466.44cm</td> </tr> <tr> <td>32.81ft / 10m</td> <td>16.17, 17.37fc / 174.0, 186.9lx</td> <td></td> <td>19.13ft / 583.05cm</td> </tr> </tbody> </table> <p>Note: The Curves indicate the illuminated area and the average illumination when the luminaire is at different distance.</p>	Height	Eavg, Emax	Angle: 32.51deg	Diameter	6.562ft / 2m	404.1, 434.2fc / 4350, 4673lx		3.826ft / 116.61cm	13.12ft / 4m	101.0, 108.5fc / 1087, 1169lx		7.652ft / 233.22cm	19.69ft / 6m	44.90, 48.24fc / 483.3, 519.3lx		11.48ft / 349.83cm	26.25ft / 8m	25.26, 27.14fc / 271.9, 292.1lx		15.3ft / 466.44cm	32.81ft / 10m	16.17, 17.37fc / 174.0, 186.9lx		19.13ft / 583.05cm
Height	Eavg, Emax	Angle: 32.51deg	Diameter																							
6.562ft / 2m	404.1, 434.2fc / 4350, 4673lx		3.826ft / 116.61cm																							
13.12ft / 4m	101.0, 108.5fc / 1087, 1169lx		7.652ft / 233.22cm																							
19.69ft / 6m	44.90, 48.24fc / 483.3, 519.3lx		11.48ft / 349.83cm																							
26.25ft / 8m	25.26, 27.14fc / 271.9, 292.1lx		15.3ft / 466.44cm																							
32.81ft / 10m	16.17, 17.37fc / 174.0, 186.9lx		19.13ft / 583.05cm																							
360W	<p>UNIT:cd V 0.0 DEG PLAN, 54.9deg H 0.0 DEG PLAN, 94.5deg AVERAGE BEAM ANGLE (50%): 74.7 DEG</p>	<table border="1"> <thead> <tr> <th>Height</th> <th>Eavg, Emax</th> <th>Angle: 32.29deg</th> <th>Diameter</th> </tr> </thead> <tbody> <tr> <td>6.562ft / 2m</td> <td>591.0, 633.4fc / 6361, 6818lx</td> <td></td> <td>3.798ft / 115.78cm</td> </tr> <tr> <td>13.12ft / 4m</td> <td>147.7, 158.3fc / 1590, 1704lx</td> <td></td> <td>7.597ft / 231.55cm</td> </tr> <tr> <td>19.69ft / 6m</td> <td>65.66, 70.38fc / 706.8, 757.5lx</td> <td></td> <td>11.4ft / 347.33cm</td> </tr> <tr> <td>26.25ft / 8m</td> <td>36.93, 39.59fc / 397.6, 426.1lx</td> <td></td> <td>15.19ft / 463.11cm</td> </tr> <tr> <td>32.81ft / 10m</td> <td>23.64, 25.34fc / 254.4, 272.7lx</td> <td></td> <td>18.99ft / 578.88cm</td> </tr> </tbody> </table> <p>Note: The Curves indicate the illuminated area and the average illumination when the luminaire is at different distance.</p>	Height	Eavg, Emax	Angle: 32.29deg	Diameter	6.562ft / 2m	591.0, 633.4fc / 6361, 6818lx		3.798ft / 115.78cm	13.12ft / 4m	147.7, 158.3fc / 1590, 1704lx		7.597ft / 231.55cm	19.69ft / 6m	65.66, 70.38fc / 706.8, 757.5lx		11.4ft / 347.33cm	26.25ft / 8m	36.93, 39.59fc / 397.6, 426.1lx		15.19ft / 463.11cm	32.81ft / 10m	23.64, 25.34fc / 254.4, 272.7lx		18.99ft / 578.88cm
Height	Eavg, Emax	Angle: 32.29deg	Diameter																							
6.562ft / 2m	591.0, 633.4fc / 6361, 6818lx		3.798ft / 115.78cm																							
13.12ft / 4m	147.7, 158.3fc / 1590, 1704lx		7.597ft / 231.55cm																							
19.69ft / 6m	65.66, 70.38fc / 706.8, 757.5lx		11.4ft / 347.33cm																							
26.25ft / 8m	36.93, 39.59fc / 397.6, 426.1lx		15.19ft / 463.11cm																							
32.81ft / 10m	23.64, 25.34fc / 254.4, 272.7lx		18.99ft / 578.88cm																							
480W	<p>UNIT:cd V 0.0 DEG PLAN, 55.3deg H 0.0 DEG PLAN, 94.8deg AVERAGE BEAM ANGLE (50%): 74.0 DEG</p>	<table border="1"> <thead> <tr> <th>Height</th> <th>Eavg, Emax</th> <th>Angle: 41.33deg</th> <th>Diameter</th> </tr> </thead> <tbody> <tr> <td>6.562ft / 2m</td> <td>757.1, 861.4fc / 8149, 9272lx</td> <td></td> <td>4.949ft / 150.86cm</td> </tr> <tr> <td>13.12ft / 4m</td> <td>189.3, 215.3fc / 2037, 2318lx</td> <td></td> <td>9.899ft / 301.71cm</td> </tr> <tr> <td>19.69ft / 6m</td> <td>84.12, 95.71fc / 905.4, 1030lx</td> <td></td> <td>14.85ft / 452.57cm</td> </tr> <tr> <td>26.25ft / 8m</td> <td>47.32, 53.84fc / 509.3, 579.5lx</td> <td></td> <td>19.8ft / 603.43cm</td> </tr> <tr> <td>32.81ft / 10m</td> <td>30.28, 34.45fc / 326.0, 370.9lx</td> <td></td> <td>24.75ft / 754.29cm</td> </tr> </tbody> </table> <p>Note: The Curves indicate the illuminated area and the average illumination when the luminaire is at different distance.</p>	Height	Eavg, Emax	Angle: 41.33deg	Diameter	6.562ft / 2m	757.1, 861.4fc / 8149, 9272lx		4.949ft / 150.86cm	13.12ft / 4m	189.3, 215.3fc / 2037, 2318lx		9.899ft / 301.71cm	19.69ft / 6m	84.12, 95.71fc / 905.4, 1030lx		14.85ft / 452.57cm	26.25ft / 8m	47.32, 53.84fc / 509.3, 579.5lx		19.8ft / 603.43cm	32.81ft / 10m	30.28, 34.45fc / 326.0, 370.9lx		24.75ft / 754.29cm
Height	Eavg, Emax	Angle: 41.33deg	Diameter																							
6.562ft / 2m	757.1, 861.4fc / 8149, 9272lx		4.949ft / 150.86cm																							
13.12ft / 4m	189.3, 215.3fc / 2037, 2318lx		9.899ft / 301.71cm																							
19.69ft / 6m	84.12, 95.71fc / 905.4, 1030lx		14.85ft / 452.57cm																							
26.25ft / 8m	47.32, 53.84fc / 509.3, 579.5lx		19.8ft / 603.43cm																							
32.81ft / 10m	30.28, 34.45fc / 326.0, 370.9lx		24.75ft / 754.29cm																							



Installation and use

