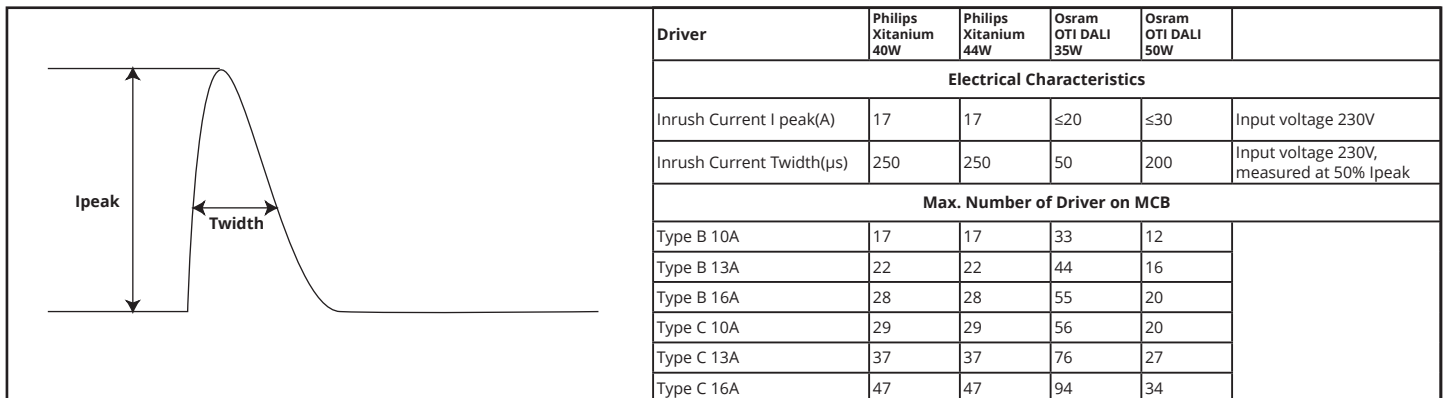
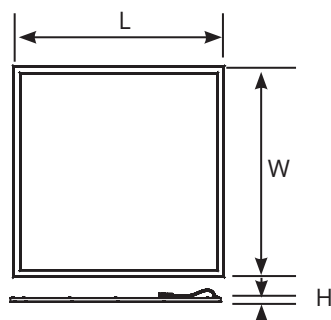


Item Description	EAN	Power (W)	CCT (K)	IP	IK	Ta (°C)	Vac	Hz	PF	CRI (Ra)	KG	L (mm)	W (mm)	H (mm)
LED Panel Sigma 33W 600 3000K UGR<19	8720094607214	33	3000	IP20	IK02	-15 ~ +40	220-240	50/60	≥0.9	≥80	2.8	595	595	10.5
LED Panel Sigma 33W 600 4000K UGR<19	8720094607221	33	4000	IP20	IK02	-15 ~ +40	220-240	50/60	≥0.9	≥80	2.8	595	595	10.5
LED Panel Sigma 33W 620 3000K UGR<19	8720094607238	33	3000	IP20	IK02	-15 ~ +40	220-240	50/60	≥0.9	≥80	2.9	620	620	10.5
LED Panel Sigma 33W 620 4000K UGR<19	8720094607245	33	4000	IP20	IK02	-15 ~ +40	220-240	50/60	≥0.9	≥80	2.9	620	620	10.5
LED Panel Sigma 33W 1200 3000K UGR<19	8720094607252	33	3000	IP20	IK02	-15 ~ +40	220-240	50/60	≥0.9	≥80	3	1195	295	10.5
LED Panel Sigma 33W 1200 4000K UGR<19	8720094607269	33	4000	IP20	IK02	-15 ~ +40	220-240	50/60	≥0.9	≥80	3	1195	295	10.5
LED Panel Sigma 40W 600 3000K	8720094607276	40	3000	IP20	IK02	-15 ~ +40	220-240	50/60	≥0.9	≥80	2.8	595	595	10.5
LED Panel Sigma 40W 600 4000K	8720094607283	40	4000	IP20	IK02	-15 ~ +40	220-240	50/60	≥0.9	≥80	2.8	595	595	10.5
LED Panel Sigma 40W 620 3000K	8720094607290	40	3000	IP20	IK02	-15 ~ +40	220-240	50/60	≥0.9	≥80	2.9	620	620	10.5
LED Panel Sigma 40W 620 4000K	8720094607306	40	4000	IP20	IK02	-15 ~ +40	220-240	50/60	≥0.9	≥80	2.9	620	620	10.5
LED Panel Sigma 40W 1200 3000K	8720094607313	40	3000	IP20	IK02	-15 ~ +40	220-240	50/60	≥0.9	≥80	3	1195	295	10.5
LED Panel Sigma 40W 1200 4000K	8720094607320	40	4000	IP20	IK02	-15 ~ +40	220-240	50/60	≥0.9	≥80	3	1195	295	10.5
LED Panel Sigma 33W 600 3000K UGR<19 DALI	8720094601243	33	3000	IP20	IK02	-15 ~ +40	220-240	50/60	≥0.95	≥80	2.8	595	595	10.5
LED Panel Sigma 33W 600 4000K UGR<19 DALI	8720094601250	33	4000	IP20	IK02	-15 ~ +40	220-240	50/60	≥0.95	≥80	2.8	595	595	10.5
LED Panel Sigma 33W 620 3000K UGR<19 DALI	8720094601267	33	3000	IP20	IK02	-15 ~ +40	220-240	50/60	≥0.95	≥80	2.9	620	620	10.5
LED Panel Sigma 33W 620 4000K UGR<19 DALI	8720094601274	33	4000	IP20	IK02	-15 ~ +40	220-240	50/60	≥0.95	≥80	2.9	620	620	10.5
LED Panel Sigma 33W 1200 3000K UGR<19 DALI	8720094601281	33	3000	IP20	IK02	-15 ~ +40	220-240	50/60	≥0.95	≥80	3	1195	295	10.5
LED Panel Sigma 33W 1200 4000K UGR<19 DALI	8720094601298	33	4000	IP20	IK02	-15 ~ +40	220-240	50/60	≥0.95	≥80	3	1195	295	10.5
LED Panel Sigma 40W 600 3000K DALI	8720094601304	40	3000	IP20	IK02	-15 ~ +40	220-240	50/60	≥0.95	≥80	2.8	595	595	10.5
LED Panel Sigma 40W 600 4000K DALI	8720094601311	40	4000	IP20	IK02	-15 ~ +40	220-240	50/60	≥0.95	≥80	2.8	595	595	10.5
LED Panel Sigma 40W 620 3000K DALI	8720094601366	40	3000	IP20	IK02	-15 ~ +40	220-240	50/60	≥0.95	≥80	2.9	620	620	10.5
LED Panel Sigma 40W 620 4000K DALI	8720094601373	40	4000	IP20	IK02	-15 ~ +40	220-240	50/60	≥0.95	≥80	2.9	620	620	10.5
LED Panel Sigma 40W 1200 3000K DALI	8720094601380	40	3000	IP20	IK02	-15 ~ +40	220-240	50/60	≥0.95	≥80	3	1195	295	10.5
LED Panel Sigma 40W 1200 4000K DALI	8720094601397	40	4000	IP20	IK02	-15 ~ +40	220-240	50/60	≥0.95	≥80	3	1195	295	10.5

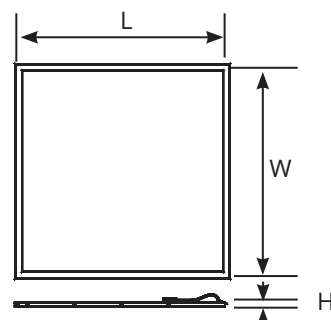
Inrush current



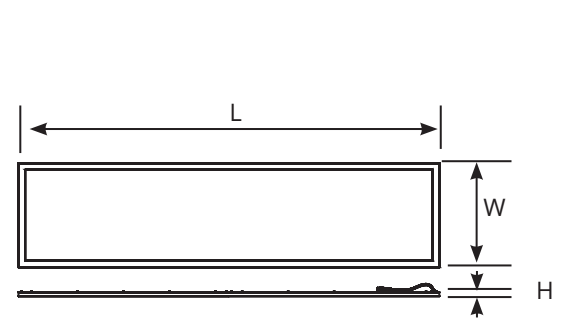
60x60cm



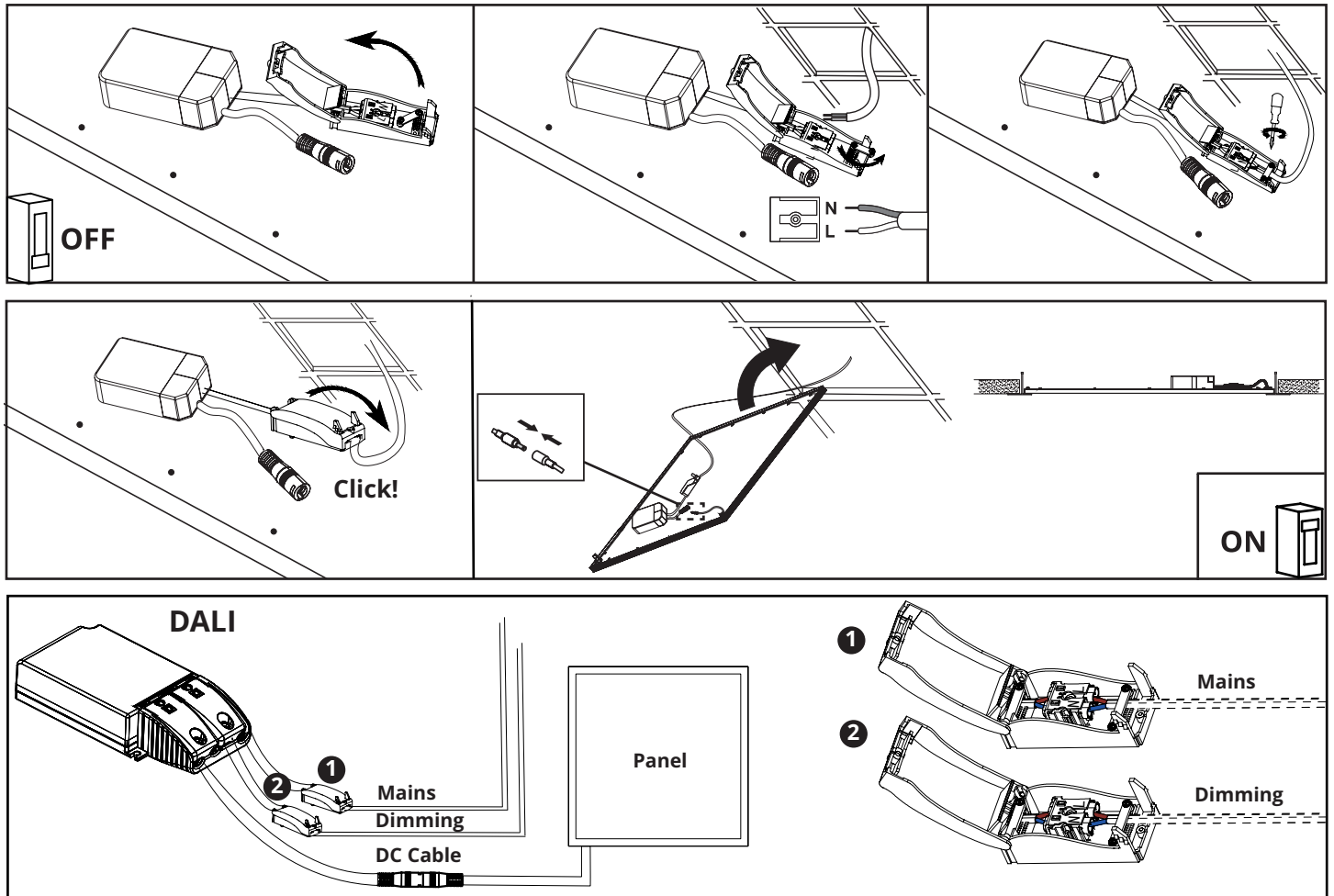
62x62cm



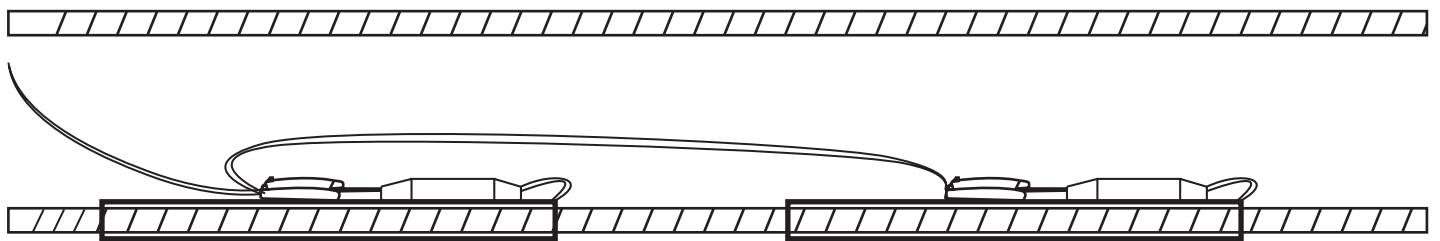
30x120cm



Installation



Through Wiring Possible



Warning

- Only qualified electrician is allowed to do installation, maintenance and inspection for safety concern. It is dangerous for non-professional operators.
- Power should be cut off before installation, maintenance or inspection.
- Please install and use the product strictly according to the instruction.
- Do not disassemble or remold the product at will to avoid accident of electric shock or light falling.
- Working out of temperature range of -15 ~ +40 will shorten the lifetime of the product.

