

green:ID

LED Wall Lamp

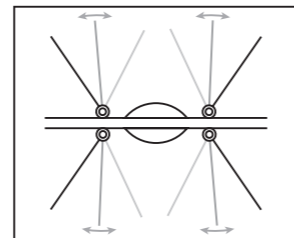
62906





Introduction

This wall lamp adopts ADC12 aluminum housing which can provide excellent thermal management; it also with unique up and down light functional design ; the beam angle can be adjusted by the flexible aluminum plate.

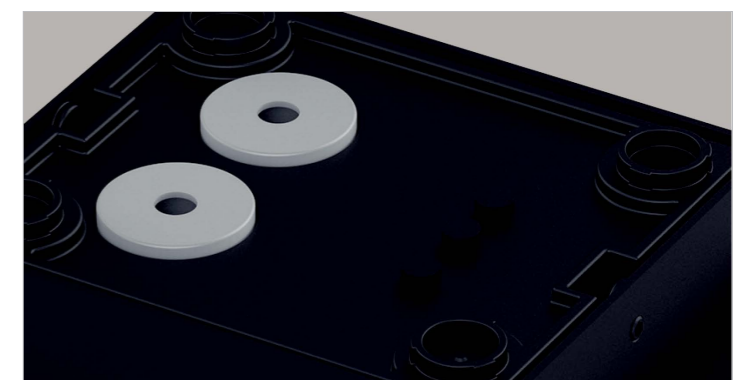
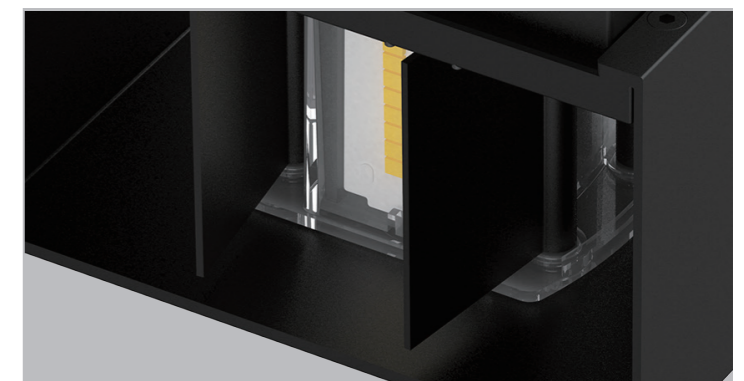
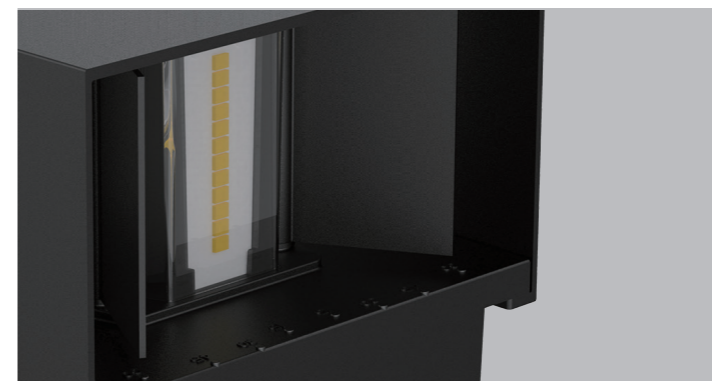


Features

- IP65 waterproof
- Up and down luminous design.
- Aluminum heat sink provides excellent thermal management
- Environment friendly, without Mercury or any other hazardous substances.

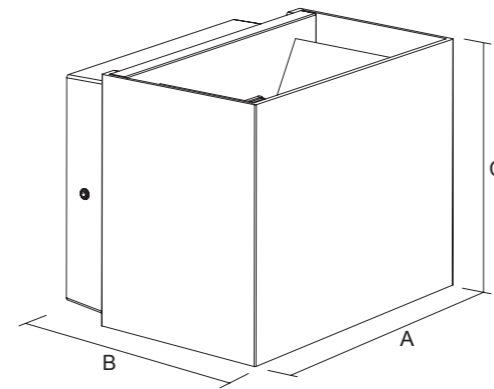
Application Areas

It is designed for indoor and outdoor lighting applications hotel, park, and corridors etc.





62906
Mains Cable entry(2x)



Technical Data Sheet

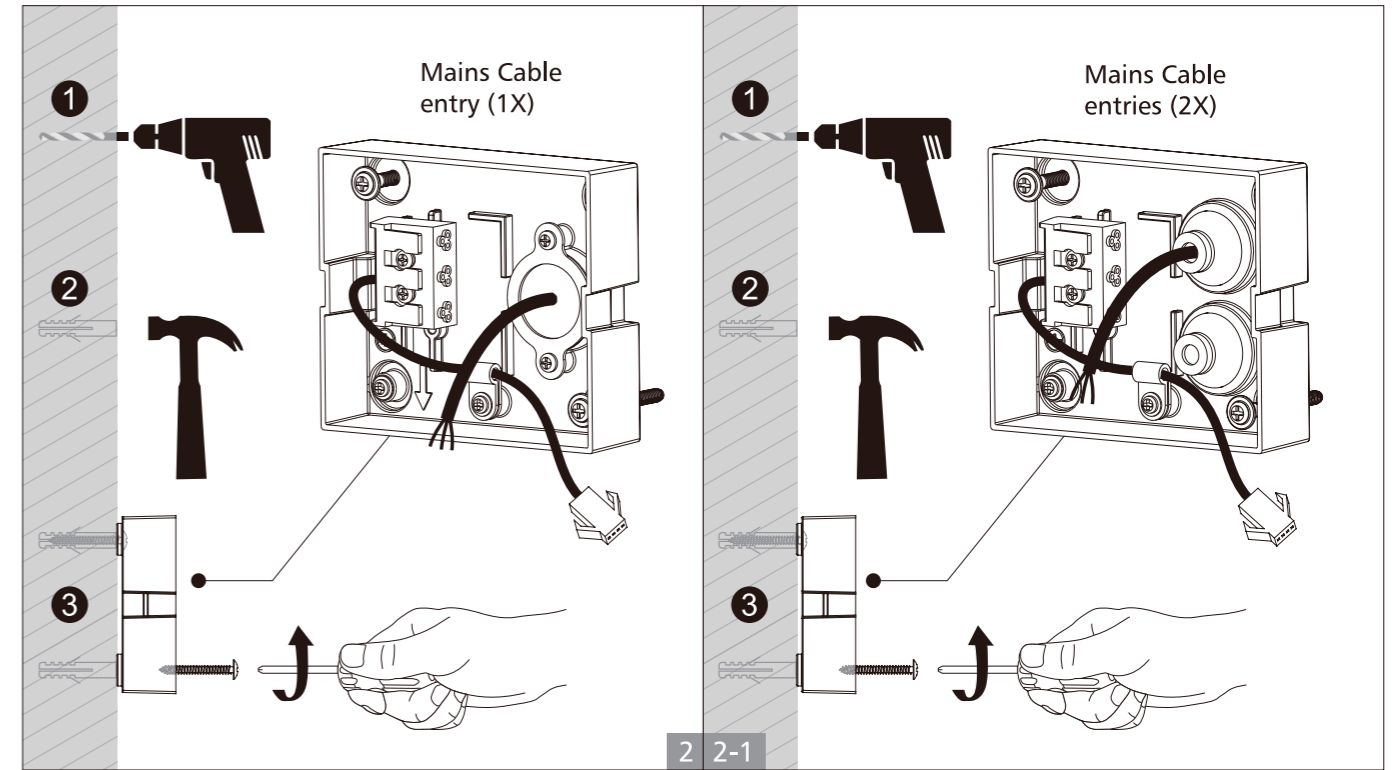
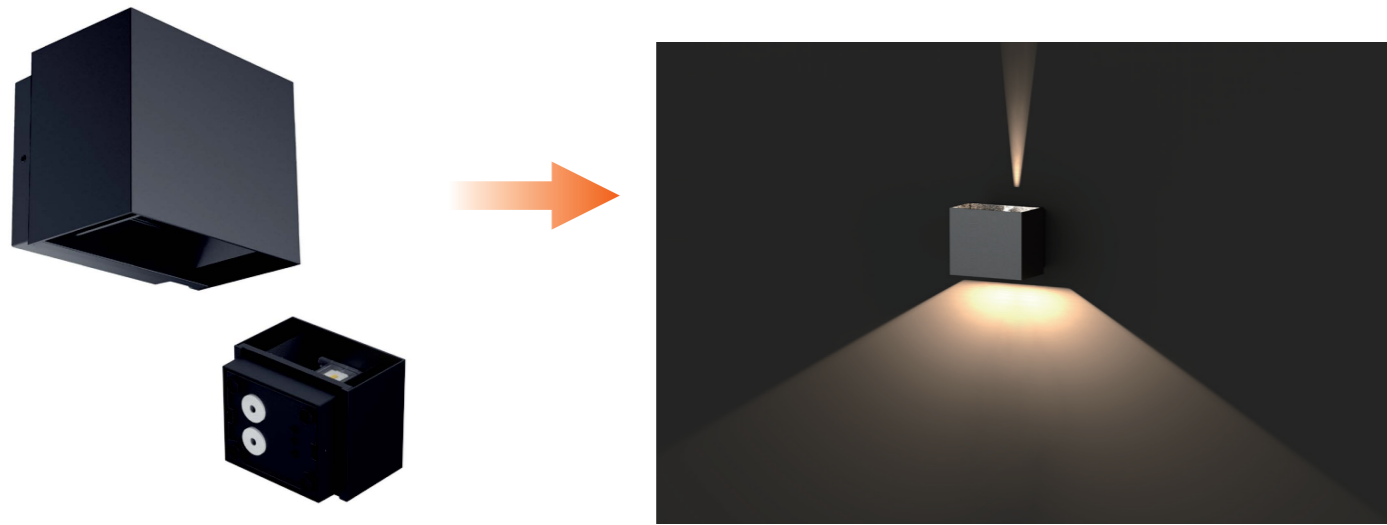
Code No.	62906		
Dimension(mm)	120*96.8*100		
Cutout (mm)	-		
Watt(W)	2×5W		
Rated Input Voltage(V)	AC230V		
Input Voltage(V)	AC100-240V		
LED Module Input	DC66-76V		
Light Source	SMD		
SDCM	<6		
CCT(K)	1-CCT: 3000K/4000K/5000K/5700K		
CCT Selection DIP Switch	NO		
Luminous Flux (lm) ±5%	Non-DIM	1-CCT	750~900
	DIM		-
	Non-DIM	3-CCT	-
	DIM		-
CRI	≥80		
Beam Angle (°)	Adjustable 15°~120°		
UGR	-		
LED Driver	Built-in		
Dimming Option	NO		
Sensor	NO		
Emergency Kits	NO		
Electrical Class	Class I		
Ingress Protection (IP Rating)	IP65		
Impact Resistance (IK Rating)	IK06		
Product Finishing(Base)	Black RAL9005		
Materials of Optics	PC		
Materials of Housing	Aluminium /PC		
Lifetime (hr)	50,000h		
Glow wire test (°C)	750°C		
Operating Temp. (°C)	-20°C ~45°C		
Storage Temp. (°C)	-20°C ~60°C		
Installation	Wall mount		

Measurement

Code	Dimension(mm)			Size(mm)	Product Weight (Kg)		Package weight (Kg)		Carton Size(cm)	Qty/CTN
	A	B	C		N.W/PC	G.W/PC	N.W/CTN	G.W/CTN		
62906	120	96.8	100	120*96.8*100	0.59	0.71	10.62	13.58	39*31.5*40	18

Driver Datasheet (Non-Dimmable)

Total load wattage		10W
Output	Output Voltage range	DC60-80V
	Rated output current	140mA
	Line Regulation	±5%
	Setup, Rise Time	1S
	Flickering Index	-
Input	Input Voltage	AC85-265V
	Rated Input Voltage(V)	AC100-240V
	Frequency	50/60Hz
	Input Current	≤0.11A
	Rated Input Current	0.1A
	Power Factor	0.9
	THD	-
	Efficiency	≥87%
	No load wattage	<0.5W
Protection	Short circuit protection	Pass
	Over voltage protection	Pass
	Over temperature protection	Pass
Safety &EMC	Withstand voltage	-
	Isolation Resistance	-
	Surge	IEC61000-4-5(L-N:0.5KV, L/N-PG:1KV)
	EMC Emission	EN55015, EN61000-3-2
	EMC Immunity	EN61000-4-2,3,4,5,6,8,11; EN61547



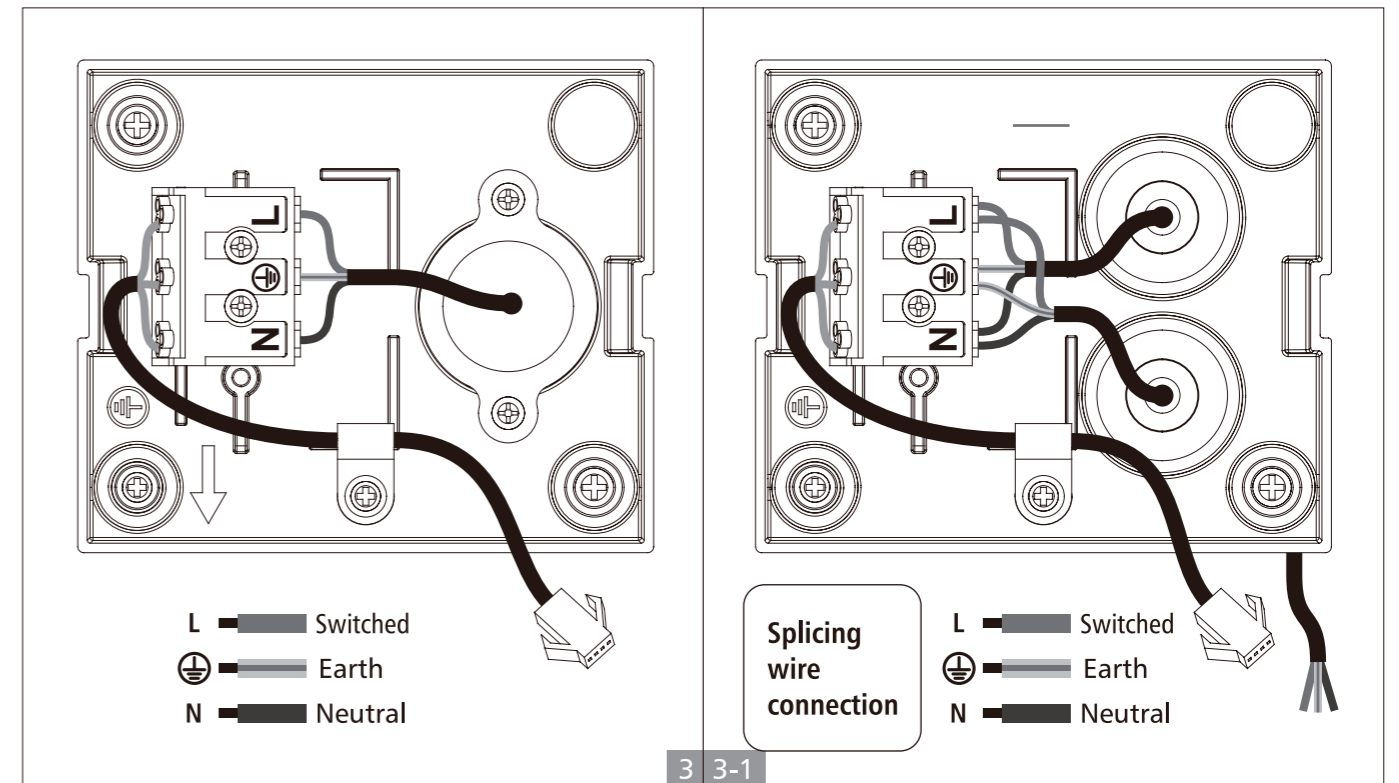
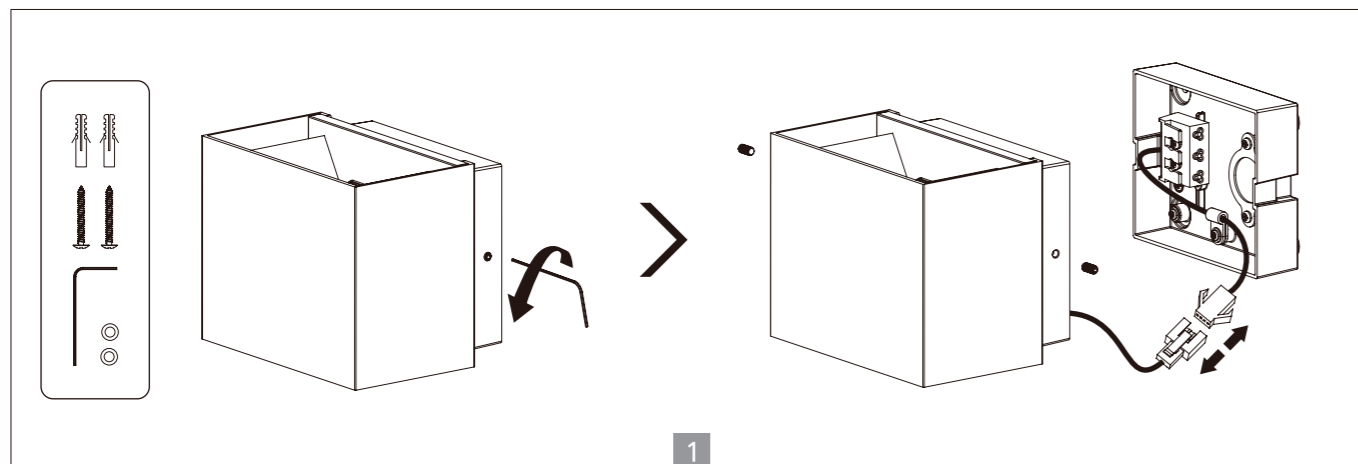
Installation Instruction

WARNING

1. Switch off before installation.
2. Switch on only after complete installation and examination of the circuit.
3. Professional electrician for installation and maintenance only.



Wall mounted installation



3 3-1

