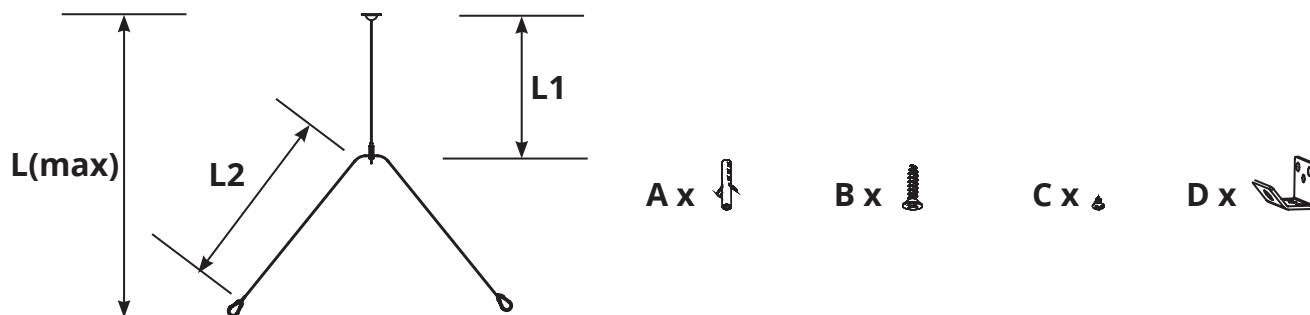
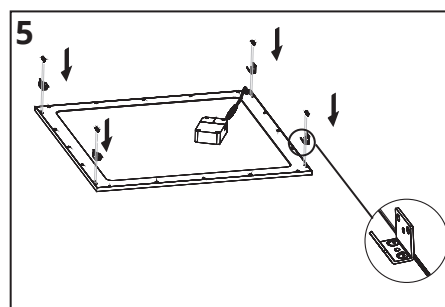
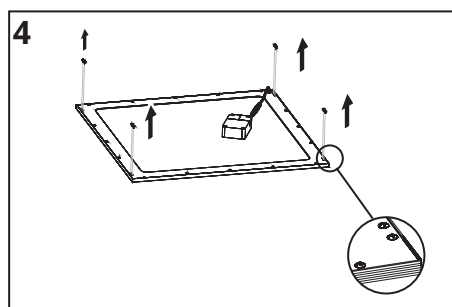
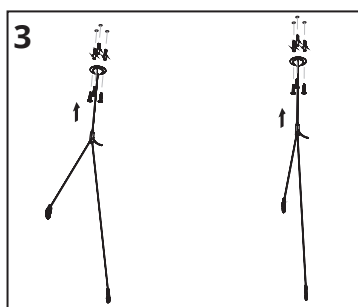
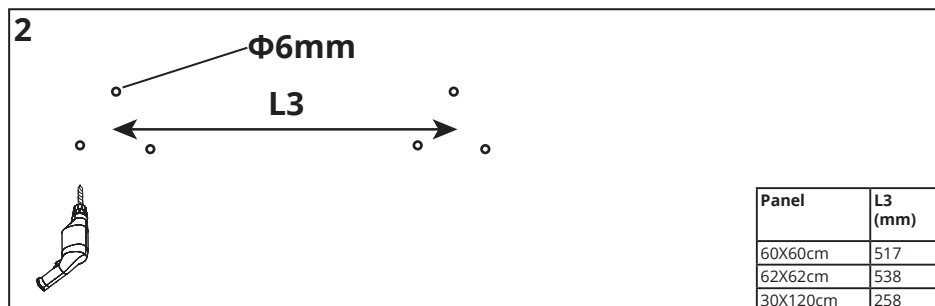
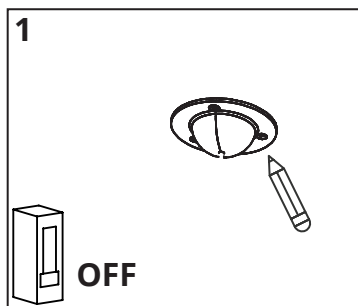
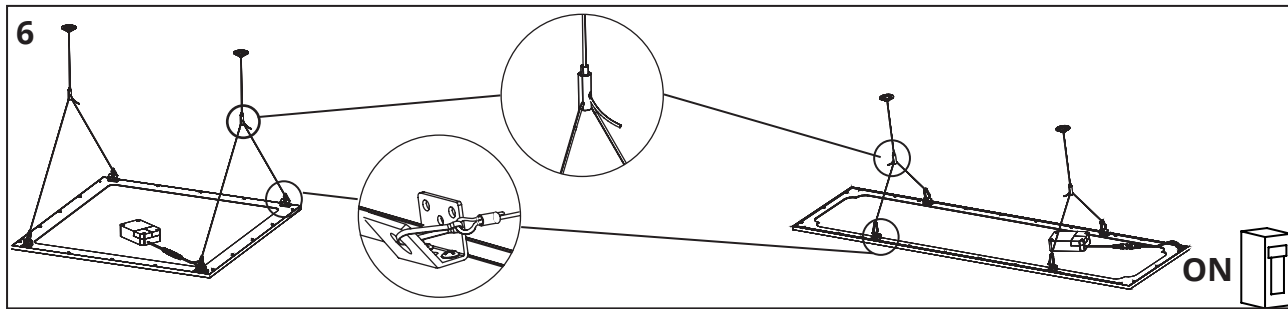


Item Description	EAN	KG (per pcs)	L1 (mm)	L2 (mm)	L(max) (mm)	A	B	C	D	Panel
LED Panel Suspension Kit	8720094600437	0.02	1500	300	1500+170	6	6	8	4	60X60cm
					1500+150	6	6	8	4	62X62cm
					1500+220	6	6	8	4	30X120cm



Installation





Warning

- Only qualified electrician is allowed to do installation, maintenance and inspection for safety concern. It is dangerous for non-professional operators.
- Power should be cut off before installation, maintenance or inspection.
- Please install and use the product strictly according to the instruction.
- Do not disassemble or remold the product at will to avoid accident of electric shock or light falling.
- Working out of temperature range of -20 ~ +40 will shorten the lifetime of the product.

