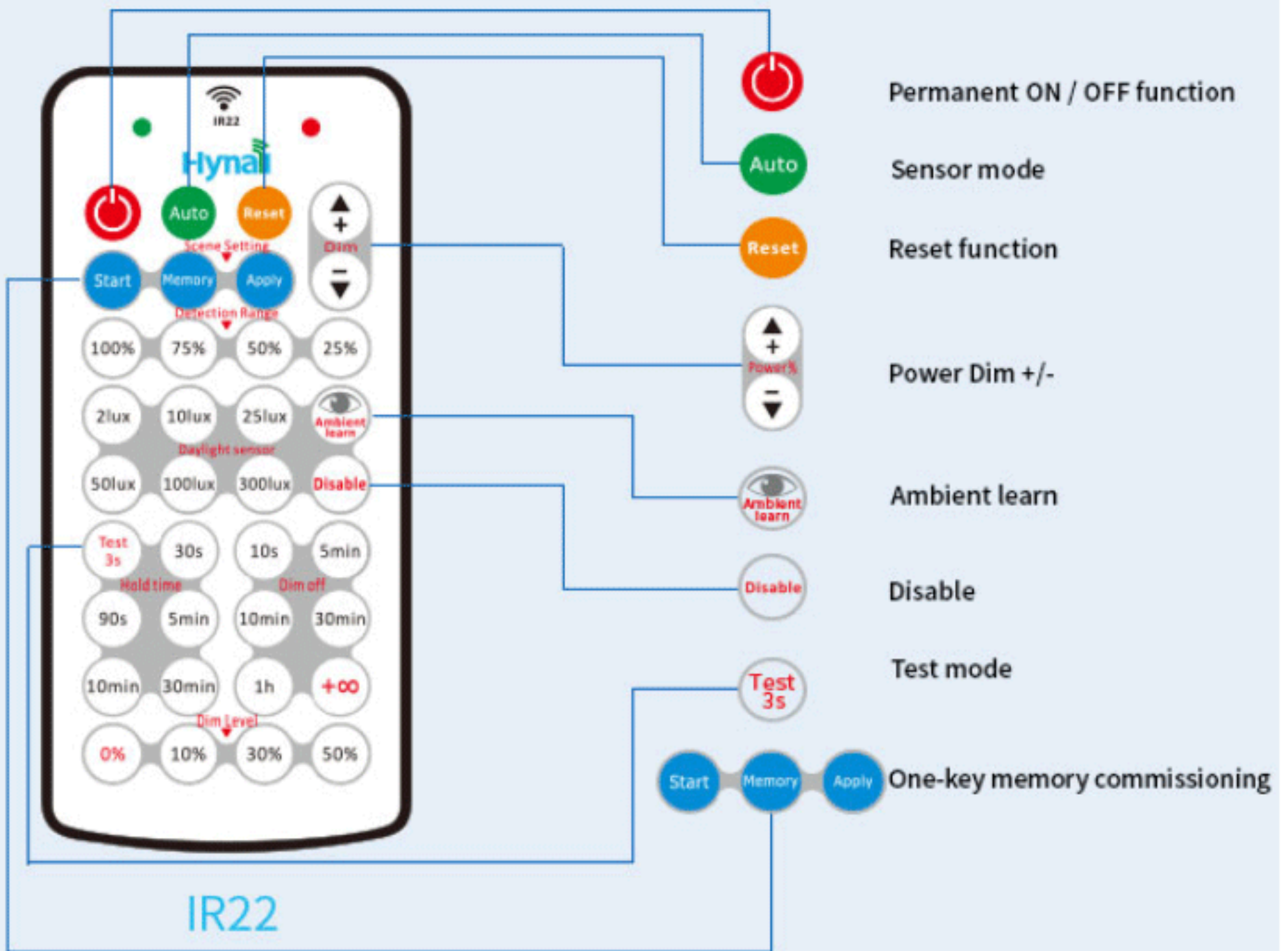


# Settings (Remote control IR22)



## Note:

The LED indicator flickers three times when sensor successfully receives RC signal after pressing any buttons expect for "APPLY".

When "twilight level" set at 0%, it becomes ON/OFF control.



### Permanent ON / OFF function

Press "ON/OFF" button, fixture goes to permanent on or permanent off mode, sensor is disabled. press "Auto", "Reset" to quit this mode.



### Sensor mode

Press "Auto" button, the sensor starts to work and all settings remain the same as the latest status before the light was switched on/off.



### Reset function

Press "Reset" button, all settings go back to factory default settings.

Factory default settings--

- Daylight sensor=disable
- Hold time=90s
- Twilight time=5min
- Twilight level=10%

## One-key memory commissioning

### Start

**Step 1** Long press "Start" button for 2s till green LED permanent on, then input all desired settings by pressing the buttons in each function zone, the green LED will flicker once to indicate the operation success. After 2s, start to input the parameters, interval time each function zone button will be within 10s. Otherwise, need re-operate step 1 for memory scene.

### Memory

**Step 2** Press "Memory" button to memorize all settings parameters. Green LED will flicker ONCE to indicate the operation success.

### Apply

**Step 3** Press "Apply" button to copy the same settings to other sensors, point the remote control to the receiving sensor for min. 2s. Red LED will flicker to indicate the operation success, the receiving sensor will buzz also to indicate success receipt.  
e.g., setting detection range 50%, daylight threshold 200lux, hold-time 30s, dim off 1h, dim level 10%, the steps should be:  
1. press "start" button for 2s, choose "50%", "200lux", "30s", "1h", "10%" function zone button.  
2. press "memory" button.  
3. press "apply" to other sensors, then all of them will share the same settings.

### Power Dim +/-

Press "Power Dim +" button to dim up the power step by step 20%-40%-60%-80%-100%. Press "Power Dim -" button to dim down the power step by step 100%-80%-60%-40%-20%.

### Disable

Press "Disable" button, the daylight sensor will be disabled, the motion sensor will work always, even in daytime.

### Test mode

"Test mode" is for testing purpose only, for users to check the functionality and choose the desired detection range. The sensor goes to test mode automatically after pressing this button.

Users can quit this mode by pressing "ON/OFF", "Reset", or any button of "Hold time". The sensor settings are changed accordingly.

Test mode defaulted settings--  
Daylight sensor=disable  
Hold time=3s  
Twilight time=N/A  
Twilight level=N/A

In this mode, when used for on/off control, after motion detected, sensor enters into a cycle of 3s on and 2s off.

In this mode, when used for tri-level dimming control, after motion detected, sensor enters into a cycle of 3s on and 2s off (0.5s soft off + 1.5s off).

### Ambient learn

Press "Ambient learn" button, the latest surrounding lux value overwrites previous lux value learned, and set as the daylight threshold. This feature enables the fixture to function well in any real application circumstance.