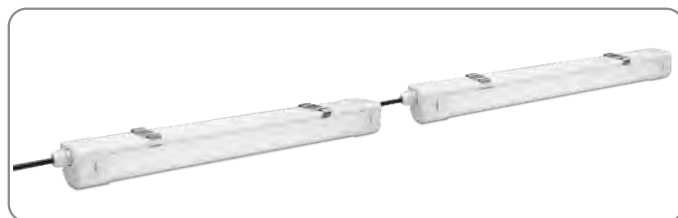
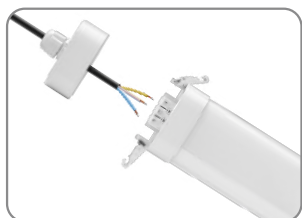
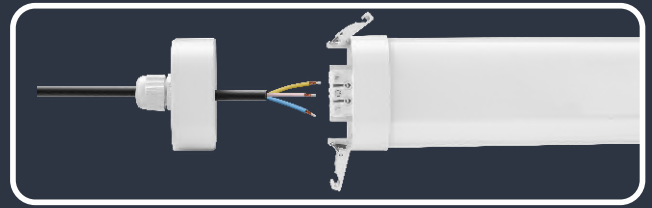




Lock & Lock

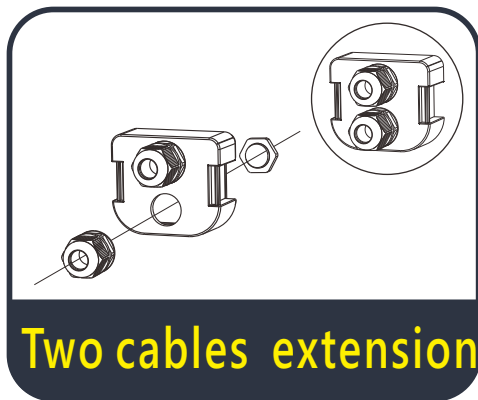
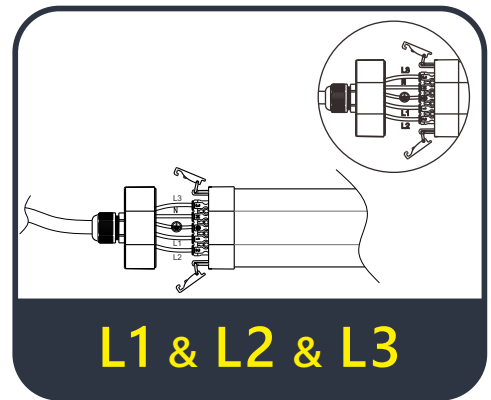
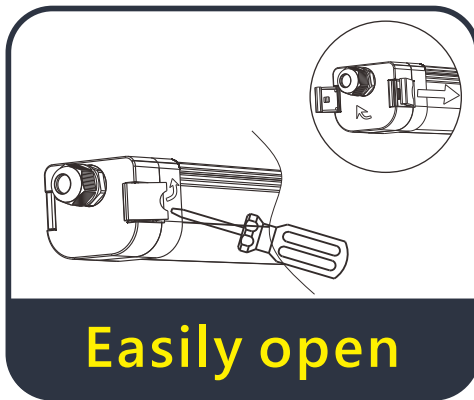
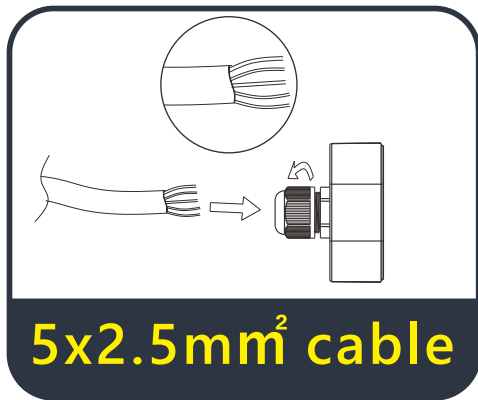
“ With buckle end cap design, our Lock&Lock series tri-proof light can be opened very easily, where customer can rewire inside the housing. In this way, the labor cost is much lower. Moreover, easy connection for dimmable, dali, 3XL, and 5x2.5m2 cables functions are all available. ”



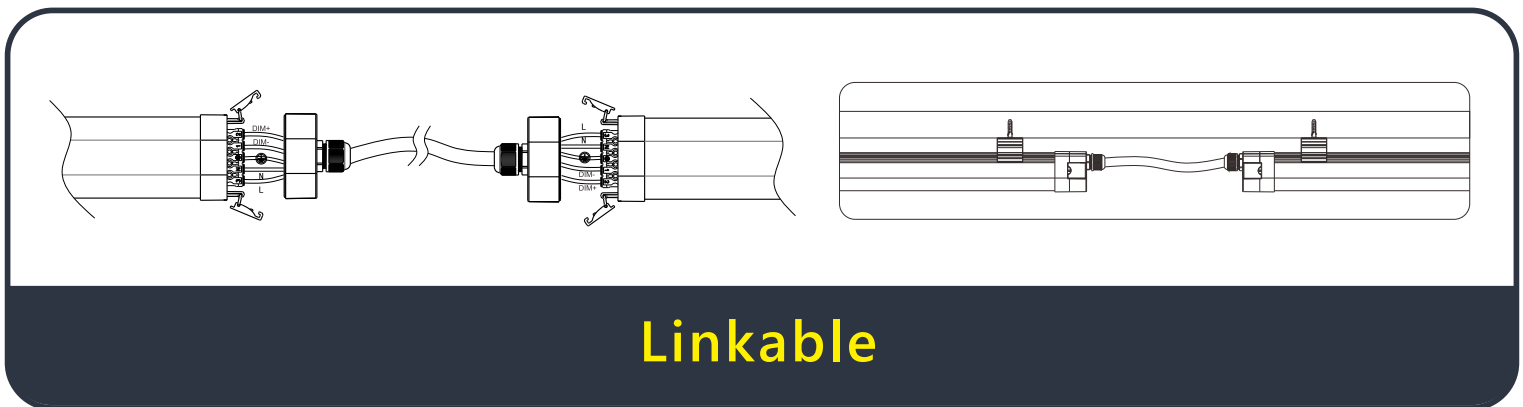
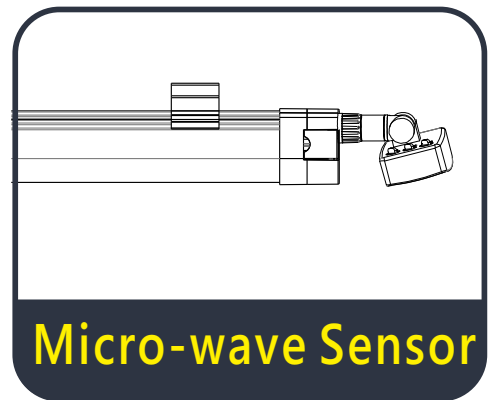


Lock & Lock

With buckle end cap design, our Lock&Lock series tri-proof light can be open very easily, where customer can rewire inside the housing. In this way, the labor cost is much lower. Moreover, easy connection with dimmable, dali, 3XL, and 5x2.5mm² cables functions are all available.



Lock & Lock

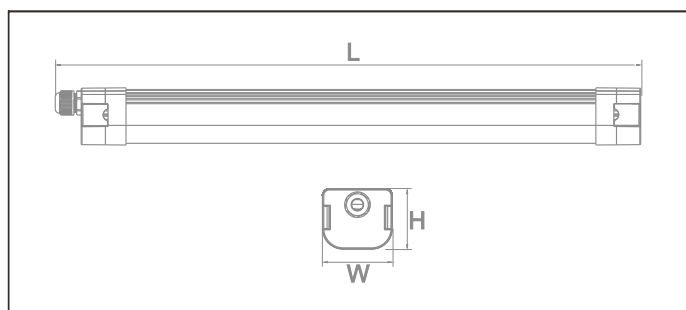


Linkable



Features

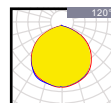
Housing: Plastic With Aluminum Inside
 Thermal Conductivity: 226 W/m·K
 Led: Bridgelux
 CRI: Ra>80
 SDCM: <6
 Power Factor: >0.95
 THD: <15
 Driver: Boke
 Sensor: Haisen
 Protection: OTP, OCP, OVP, SCP
 Surge Protection: 2KV
 Waterproof: IP65
 Impact Test: IK08
 Electrical: 220-240V, 50/60Hz
 Operating Temperature: -20~40°C
 TM21: L80B10>50,000H
 Lifetime: 50,000H



Functions

Micro-wave

Optical options:

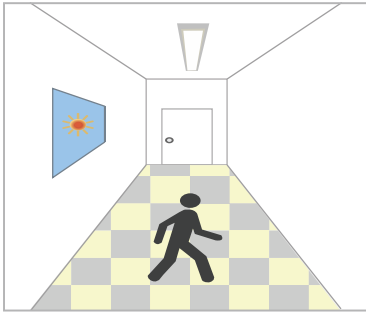


Model	Watt	Voltage	Lumen	CRI	IP	Dimension
TP020LE2F-BBM	20W	220~240V	2600LM	>80	IP65	L659*W74*H64MM
TP040LE4F-BBM	40W	220~240V	5200LM	>80	IP65	L1221*W74*H64MM
TP060LE5F-BBM	60W	220~240V	7800LM	>80	IP65	L1502*W74*H64MM

Micro-wave sensor Light Sensor

Application

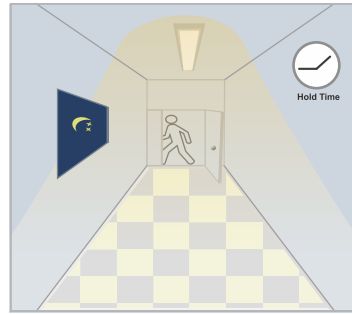
Function Demo: Dimmable control/Corridor function



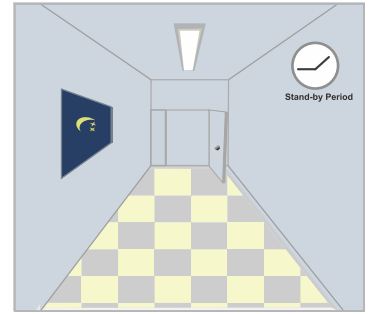
With sufficient ambient light, the sensor does not switch on the lamp.



With insufficient ambient light, the sensor switches on the lamp when motion is detected.

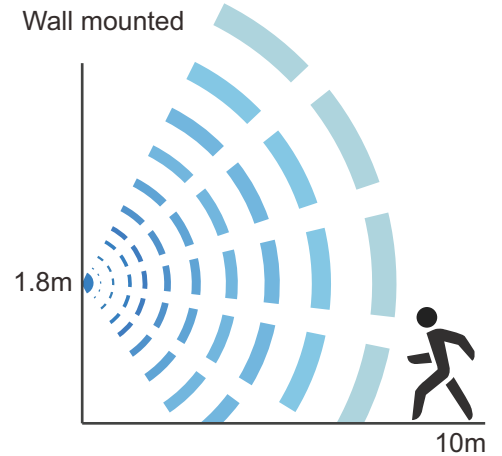
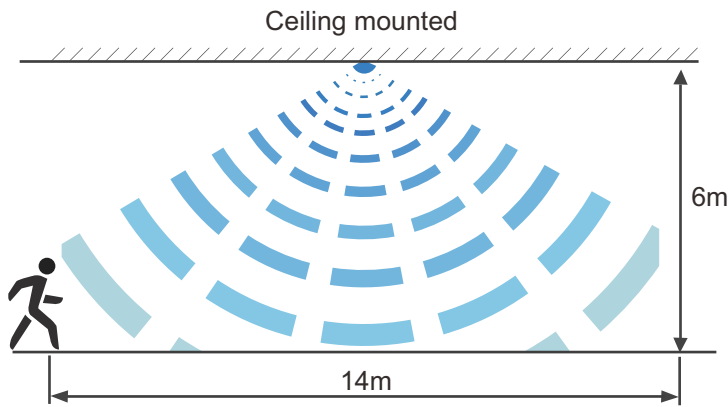


After hold time, the sensor dims the lamp at a low light level if no new motion trigger.



After stand-by period, the sensor switches off the lamp if no motion is detected in its detection zone.

Detection Area



Technical Data

Detection area	25%/50%/75%/100%
Hold-time	5s/30s/1min/3min/5min/10min/20min/30min
Stand-by period	0S/10s/30s/1min/5min/10min/30min/+∞
Stand-by dimming level	10%/20%/30%/50%
Daylight threshold	2Lux/10Lux/30Lux/50Lux/80Lux/120Lux/ Disable
Microwave frequency	5.8GHz±75MHz
Microwave power	<0.3mW
Detection angle	30°~150°
Mounting height	Max.6m(ceiling mounted)
Detection range	Max.14x6m(ΦxH)

Re-setting

ON/OFF

Press the "ON/OFF" button, the light keeps permanently on or off.* Press "Auto Mode", "RESET" or "Apply" buttons to quit from this mode.

Auto Mode

Press "Auto Mode" button, the sensor starts to work and all settings remain the same before the light gets switched on/off.

Detection area

Press the button "detection range" to set detection range as 100% / 75% / 50% / 10%.

Hold-time

Press the button "hold-time" to set hold-time as 5s / 30s / 1min / 3min / 5min / 10min / 15min / 30min .

Stand-by dimming level

Press the button "stand-by dimming level" to set the stand-by dimming level as 10% / 20% / 30% / 50%.

Stand-by period

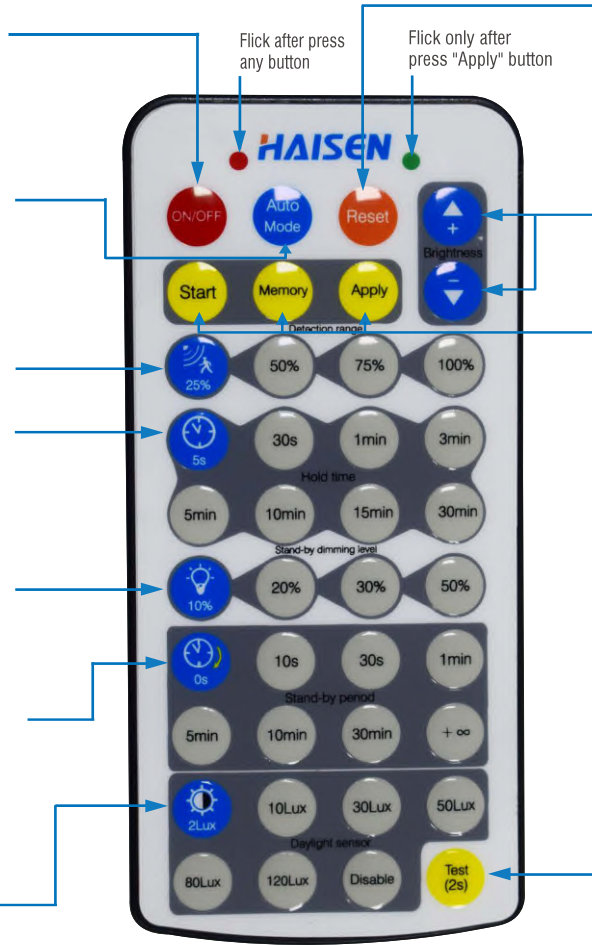
Press the button "stand-by period" to set stand-by period as 0s / 10s / 30s / 1min / 5min / 10min / 30min / +∞.

Note: "0s" means no standby period; "+∞" means unlimited standby period.

Daylight threshold

Press the button "daylight sensor" to set daylight threshold as 2Lux / 10Lux / 30Lux / 50Lux / 80Lux / 120Lux / disable.

Note: Disable means light will be turned on once sensor detects movement, regardless of the ambient lux.



Reset

1. Press "Reset" button, change brightness to max level.
2. Press "RESET" button, products with DIP switch will be controlled by DIP switches; otherwise all the setting will be just initial, that is 100% detection range, hold time 5S, no stand-by time and daylight threshold disabled.

" +/- "

1. To adjust brightness 10-100% in ON/OFF mode.
2. To adjust highest brightness 60-100% in sensor mod.

"Start"

Press "Start" to customize scene, users can change detection range, daylight threshold, holdtime, standby dimming level and standby period.

"Memory"

1. Press "Memory" to save all the settings.
2. No change settings are kept as before save.

"Apply"

1. Press "Apply" to deliver the saved values.
2. Press "Apply" without memorizing all the settings will deliver only one-time operation; Settings should be done within 30S, otherwise it exists memory mode.

"Test (2s)"

The button "Test (2s)" is for testing purpose after commissioning. Pressing this button, the sensor goes to test mode (hold time is only 2s) automatically, stand-by period and daylight sensor are disabled.

Detection area

Detection area can be reduced by selecting the combination on the DIP switches to fit precisely each application.

Stand-by period

Refers to the time period the lamp remains at a low light level before it completely switches off in the long absence of people. When set to Disable mode, the low light is maintained until motion is detected.

Stand-by dimming level

The low light level you would like to have after the hold time in the long absence of people.

Hold time

Refers to the time period the lamp remains at 100% illumination after no motion detected.

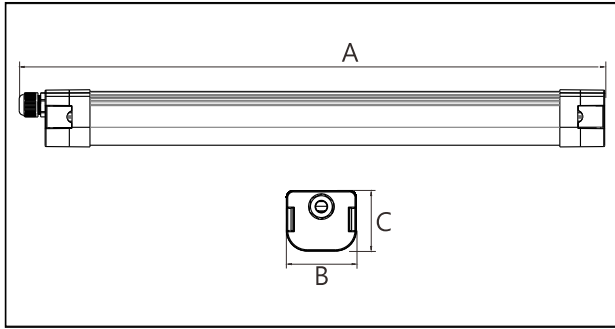
Daylight sensor

The sensor can be set to only allow the lamp to illuminate below a defined ambient brightness threshold.

When set to Disable mode, the daylight sensor will switch on the lamp when motion is detected regardless of ambient light level.

Note that daylight sensor is active only when lamp totally switches off.

Packing



Model	L*W*H (mm)	Inner Carton(mm)			QTY / INNER CTN	Outer Carton(mm)			QTY / Outer CTN	NW/CTN	GW/CTN
TP020LE2F	659*74*64	720	80	70	1	735	260	155	6	3.50	4.50
TP040LE4F	1221*74*64	1280	80	70	1	1295	260	155	6	9.00	10.50
TP060LE5F	1502*74*64	1560	80	70	1	1575	260	155	6	9.50	11.50